

FL-PP-RJ45/RJ45 - Patch panel



2901646

<https://www.phoenixcontact.com/sg/products/2901646>

Please be informed that the data shown in this PDF document is generated from our online catalog. Please find the complete data in the user documentation. Our general terms of use for downloads are valid.



Patch panel, two RJ45 jacks (1:1 assignment), CAT5e, 10/100/1000 Mbps, DIN rail adapter, IP20, option of shield contacting to the DIN rail via jumpers

Product description

Ethernet patch panels enable quick and easy connection between the field cabling and control cabinet cabling. The passive termination panels are a convenient alternative to the on-site assembly of RJ45 connectors.

Your advantages

- Safe shield connection to ground potential
- CAT5e
- 10/100/1000 Mbps
- Mounting on a DIN rail
- Easy and convenient extension for RJ45 cable
- Optional shield connection via jumpers
- Shipbuilding approval in accordance with DNV GL
- PoE-capable in accordance with IEEE 802.3bt, type 4

Commercial data

Item number	2901646
Packing unit	10 pc
Minimum order quantity	1 pc
Sales key	*****
Product key	DNC331
Catalog page	Page 363 (C-6-2019)
GTIN	4046356622806
Weight per piece (including packing)	54.57 g
Weight per piece (excluding packing)	57.26 g
Customs tariff number	85366990
Country of origin	US

FL-PP-RJ45/RJ45 - Patch panel



2901646

<https://www.phoenixcontact.com/sg/products/2901646>

Technical data

Notes

Note on application

Note on application	Only for industrial use
---------------------	-------------------------

Utilization restriction

CCCex note	Use in potentially explosive areas is not permitted in China.
------------	---

Product properties

Product type	Patch panel
MTBF	6702 Years (Telcordia standard, 25°C temperature, 21% operating cycle (5 days a week, 8 hours a day))
	2962 Years (Telcordia standard, 40°C temperature, 34.25% operating cycle (5 days a week, 12 hours a day))

Interfaces

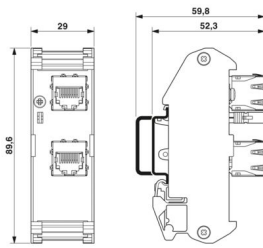
Data: Ethernet interface, 10/100/1000Base-T(X) in accordance with IEEE 802.3

Serial transmission speed	10/100/1000 Mbps
Connection method	RJ45 jack
Note on the connection method	CAT5e
No. of channels	1
Pin assignment	1:1
Transmission length	100 m (including patch cables)

Data: Ethernet interface, 10/100/1000Base-T(X) in accordance with IEEE 802.3

Connection method	RJ45 CAT5e
No. of channels	1

Dimensions

Dimensional drawing	
Width	29 mm
Height	90 mm
Depth	53 mm

Material specifications

Color (Housing)	green (RAL 6021)
-----------------	------------------

FL-PP-RJ45/RJ45 - Patch panel



2901646

<https://www.phoenixcontact.com/sg/products/2901646>

Material (Housing)	PVC / PA
--------------------	----------

Cable/line

Cable impedance	100 Ω
-----------------	-------

Mechanical properties

Mechanical data

Insertion/withdrawal cycles	≤ 2500
-----------------------------	--------

Mechanical tests

Vibration resistance in accordance with EN 60068-2-6/IEC 60068-2-6	: 5g, 10...150 Hz, 2.5 h, in XYZ direction
Shock in accordance with EN 60068-2-27/IEC 60068-2-27	: 25g, 11 ms period, half-sine shock pulse

Environmental and real-life conditions

Ambient conditions

Degree of protection	IP20
Ambient temperature (operation)	-25 °C ... 70 °C
Ambient temperature (storage/transport)	-25 °C ... 85 °C
Ambient temperature (assembly)	-10 °C ... 70 °C
Permissible humidity (operation)	25 % ... 95 % (non-condensing)

Approvals

ATEX

Identification	⊕ II 3 G Ex ec IIC Gc
Certificate	PxCIF14ATEX2901642U
Note	Please follow the special installation instructions in the documentation!

UKEX

Identification	⊕ II 3 G Ex ec IIC Gc
Certificate	PxCIMA21UKEX2901642U

Corrosive gas test

Identification	ISA-S71.04-1985 G3 Harsh Group A
----------------	----------------------------------

Shipbuilding

Identification	DNV GL
----------------	--------

Shipbuilding data

Temperature	B
Humidity	A
Vibration	A
EMC	B
Enclosure	Required protection according to the Rules shall be provided upon installation on board

FL-PP-RJ45/RJ45 - Patch panel

2901646

<https://www.phoenixcontact.com/sg/products/2901646>



Mounting

Mounting type

DIN rail mounting

FL-PP-RJ45/RJ45 - Patch panel

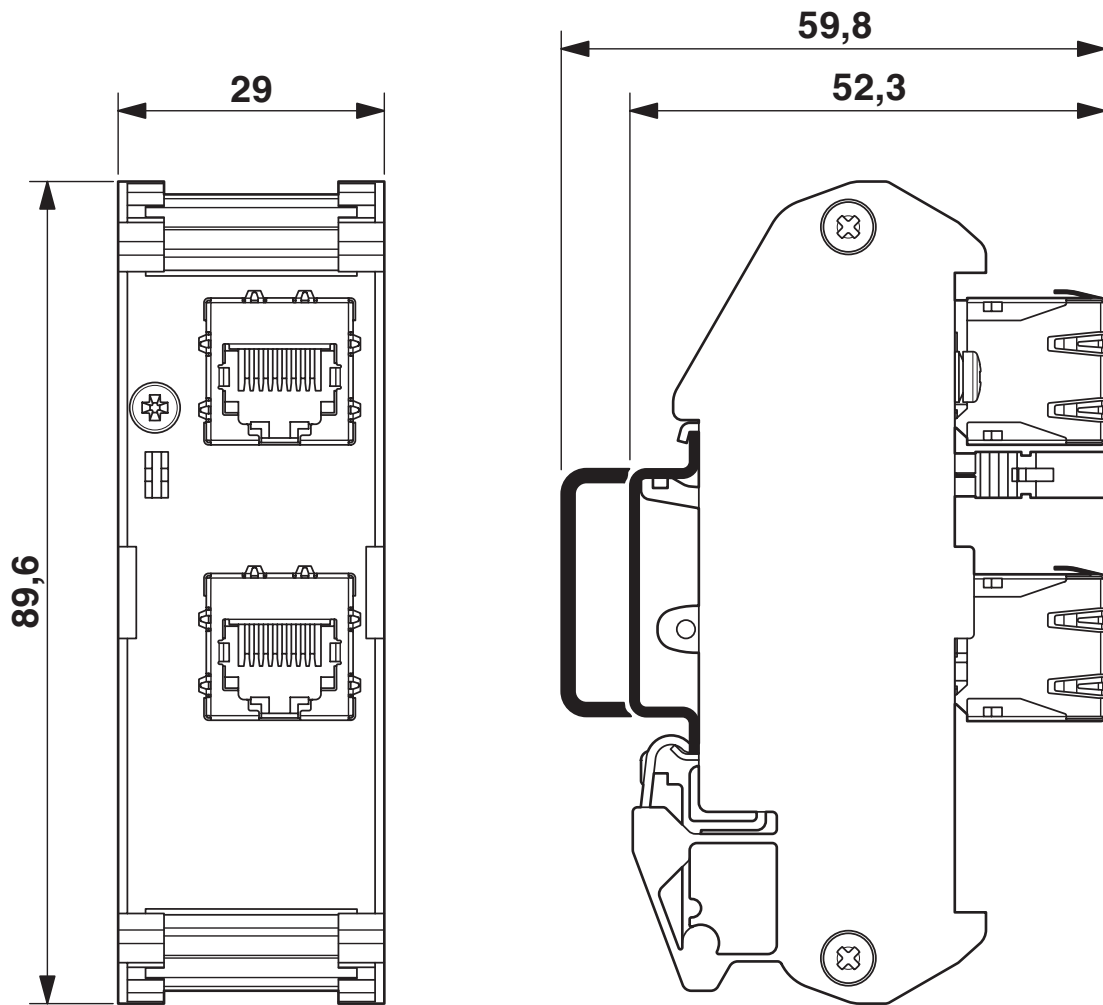
2901646

<https://www.phoenixcontact.com/sg/products/2901646>



Drawings

Dimensional drawing



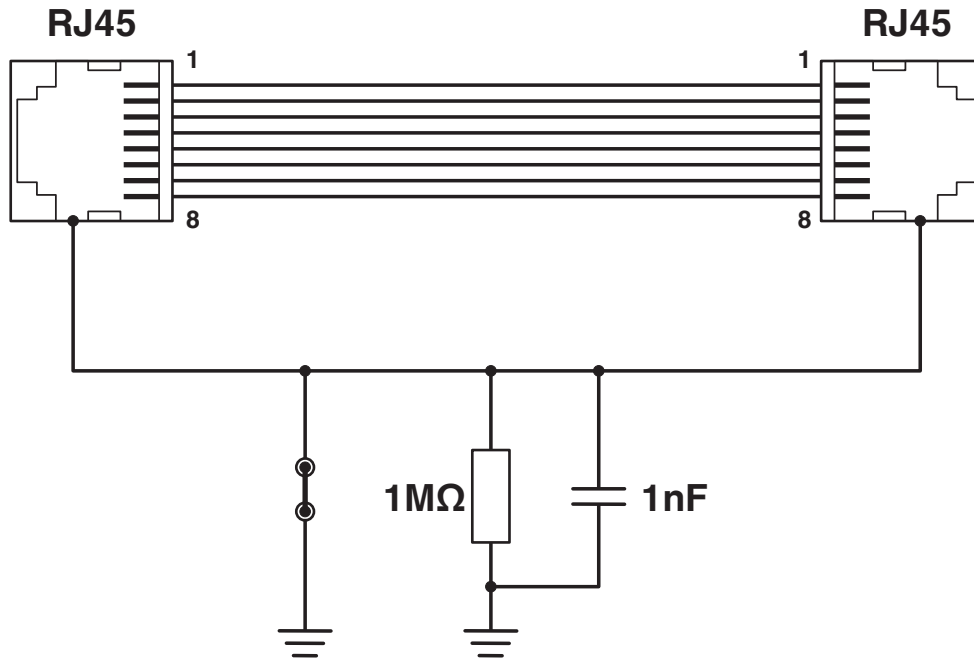
Dimensional drawing

FL-PP-RJ45/RJ45 - Patch panel

2901646

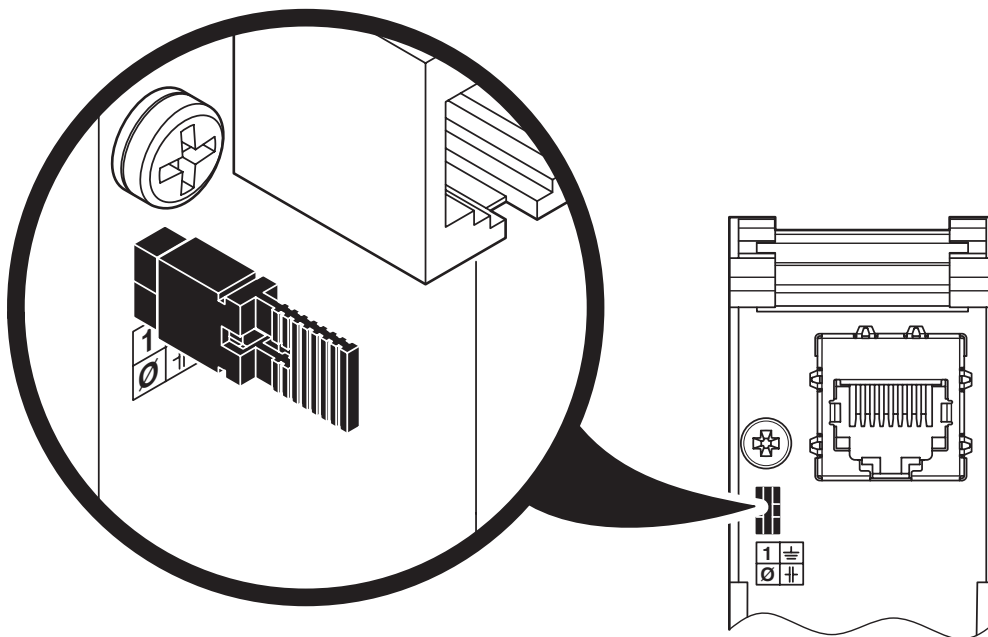
<https://www.phoenixcontact.com/sg/products/2901646>

Circuit diagram



Circuit diagram

Schematic diagram



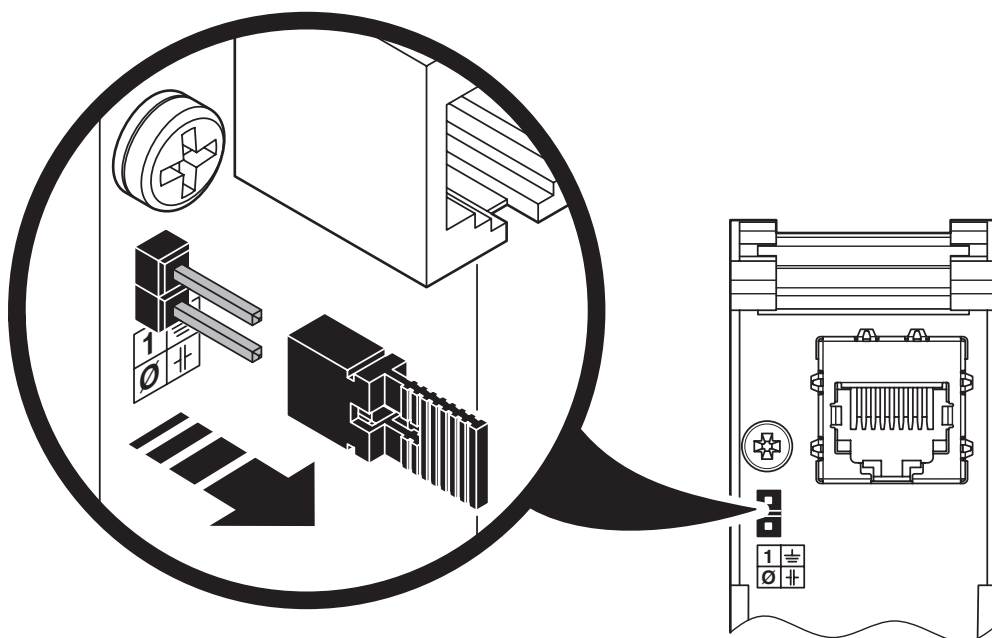
Shield connection direct to PE

FL-PP-RJ45/RJ45 - Patch panel

2901646

<https://www.phoenixcontact.com/sg/products/2901646>

Schematic diagram



Shield connection to PE via RC element

FL-PP-RJ45/RJ45 - Patch panel



2901646

<https://www.phoenixcontact.com/sg/products/2901646>

Approvals

To download certificates, visit the product detail page: <https://www.phoenixcontact.com/sg/products/2901646>



EAC

Approval ID: RU D-DE.GB09.B.00312



DNV GL

Approval ID: TAA00001KR

FL-PP-RJ45/RJ45 - Patch panel



2901646

<https://www.phoenixcontact.com/sg/products/2901646>

Classifications

ECLASS

ECLASS-11.0	19170112
ECLASS-12.0	19170112
ECLASS-13.0	19170112

ETIM

ETIM 9.0	EC001128
----------	----------

UNSPSC

UNSPSC 21.0	43223309
-------------	----------

FL-PP-RJ45/RJ45 - Patch panel



2901646

<https://www.phoenixcontact.com/sg/products/2901646>

Environmental product compliance

EU RoHS

Fulfills EU RoHS substance requirements	Yes, No exemptions
---	--------------------

China RoHS

Environment friendly use period (EFUP)	EFUP-50
	An article-related China RoHS declaration table can be found in the download area for the respective article under "Manufacturer declaration". For all articles with EFUP-E, no China RoHS declaration table issued and required.

EU REACH SVHC

REACH candidate substance (CAS No.)	No substance above 0.1 wt%
-------------------------------------	----------------------------

Phoenix Contact 2025 © - all rights reserved

<https://www.phoenixcontact.com>

PHOENIX CONTACT SEA Pte. Ltd.

105 Eunos Avenue 3, #04-00

Singapore 409836

+65 6228 4900

marketing@phoenixcontact.com.sg