

# FL MC EF WDM-B SC - FO converters



2902659

<https://www.phoenixcontact.com/sg/products/2902659>

Please be informed that the data shown in this PDF document is generated from our online catalog. Please find the complete data in the user documentation. Our general terms of use for downloads are valid.



FO converter (replacement device B), for full duplex transmission from 10/100Base-T(X) to individual simplex fiberglass with WDM (wavelength division multiplex) technology, SC simplex fiber optic connection (1550/1310 nm). Device set (type A and type B) required for operation.

## Product description

Optical transmission with FO technology provides superior immunity to interference at maximum transmission ranges without restricting the transmission bandwidth.

## Your advantages

- Full duplex communication with only one fiber
- Transmission ranges up to 38 km
- Auto negotiation
- Auto MDI/MDI-X switch-over
- Link fault pass through (LFPT) and far end fault (FEF) functions for easy connection monitoring
- 10/100 Mbps
- Shipbuilding approval in accordance with DNV GL

## Commercial data

Item number	2902659
Packing unit	1 pc
Minimum order quantity	1 pc
Sales key	*****
Product key	DNC311
Catalog page	Page 350 (C-6-2019)
GTIN	4046356669696
Weight per piece (including packing)	170.5 g
Weight per piece (excluding packing)	120 g
Customs tariff number	85176200
Country of origin	US

## Technical data

### Notes

#### Utilization restriction

CCCex note	Use in potentially explosive areas is not permitted in China.
------------	---

### Product properties

Product type	Media converter
MTTF	1400 Years (SN 29500 standard, temperature 25°C, operating cycle 21%)
	599 Years (SN 29500 standard, temperature 40°C, operating cycle 34.25%)
	101 Years (SN 29500 standard, temperature 40°C, operating cycle 100%)
MTBF	492 Years (Telcordia standard, 25°C temperature, 21% operating cycle (5 days a week, 8 hours a day))
	133 Years (Telcordia standard, 40°C temperature, 34.25% operating cycle (5 days a week, 12 hours a day))
Signal delay	± 1.3 μs (Store and Forward mode, 10/100 Mbps, depending on the frame size)

### System properties

#### Functionality

Basic functions	Store-and-forward media converter
-----------------	-----------------------------------

### Electrical properties

Electrical isolation	according to IEEE 802.3
	VCC // FE // Ethernet
Maximum power dissipation for nominal condition	2.64 W
Test voltage data interface/power supply	0.5 kV <sub>rms</sub> (50 Hz, 1 min.)

#### Supply

Supply voltage range	18 V DC ... 30 V DC (Screw connection)
	18 V DC ... 30 V DC (as an alternative or redundant, via backplane bus contact and system current supply)
Nominal supply voltage	24 V DC
Typical current consumption	110 mA (24 V DC)
Protective circuit	Reverse polarity protection

### Connection data

#### Supply

Connection method	Plug-in screw terminal block (COMBICON), redundancy possible
Single conductor/terminal point, rigid	0.2 mm <sup>2</sup> ... 2.5 mm <sup>2</sup>
Single-wire/terminal point, flexible	0.2 mm <sup>2</sup> ... 2.5 mm <sup>2</sup>
Conductor cross section, flexible [AWG]	24 ... 14

# FL MC EF WDM-B SC - FO converters



2902659

<https://www.phoenixcontact.com/sg/products/2902659>

Stripping length	7.00 mm
Tightening torque	0.56 Nm ... 0.79 Nm

## Interfaces

Signal	Ethernet
Basic functions	Store-and-forward media converter

### Data: optical FO

Transmit capacity, minimum	≥ -14 dBm ((9/125 μm) dynamic in link mode (average))
Transmit capacity, maximum	≤ -8 dBm ((9/125 μm) dynamic in link mode (average))
Transmission length incl. 3 dB system reserve	38 km (F-E 9/125 0.36 dB/km)
	34 km (F-E 9/125 0.4 dB/km)
	28 km (F-E 9/125 0.5 dB/km)
	21 km (F-G 62.5/125 0.7 dB/km F 1000)
	5.5 km (F-G 62.5/125 2.6 dB/km F 600)
	21 km (F-G 50/125 0.7 dB/km F 1200)
	9 km (F-G 50/125 1.6 dB/km F 800)
Connection method	SC simplex
Wavelength	1550 nm (Send)
	1310 nm (Receiving)
Minimum receiver sensitivity	min. -31 dBm (dynamic in link mode (average))
Maximum receiver sensitivity	-3 dBm (dynamic in link mode (average))
Transmission medium	Multi-mode fiberglass
	Single-mode fiberglass

### Data: Ethernet interface, 10/100Base-T(X) in accordance with IEEE 802.3

Transmission speed	10/100 Mbps
Connection method	RJ45 jack, shielded
No. of channels	1
Transmission length	100 m (shielded twisted pair)
Transmission medium	Copper
Signal LEDs	Activity, link status, 10/100 Mbps
Auto-negotiation modes	Auto
Link through	Link fault pass through
MDI-/MDI-X switchover	Auto-MDI(X)

## Dimensions

Dimensional drawing	
Width	22.5 mm
Height	99 mm

# FL MC EF WDM-B SC - FO converters



2902659

<https://www.phoenixcontact.com/sg/products/2902659>

Depth	114.5 mm
-------	----------

## Material specifications

Color (Housing)	green (RAL 6021)
Material (Housing)	PA 6.6-FR

## Cable/line

### FO cable

Fiber types	50/125 µm
	62.5/125 µm
	Fiberglass

## Mechanical tests

Free fall in acc. with IEC 60068-2-32	: 1 m
Vibration resistance in accordance with EN 60068-2-6/IEC 60068-2-6	: 5g, 10...150 Hz, 2.5 h, in XYZ direction
Shock in accordance with EN 60068-2-27/IEC 60068-2-27	: 25g, 11 ms period, half-sine shock pulse

## Environmental and real-life conditions

### Ambient conditions

Degree of protection	IP20
Ambient temperature (operation)	-40 °C ... 65 °C
Ambient temperature (storage/transport)	-40 °C ... 85 °C
Altitude	≤ 5000 m (For restrictions, see the manufacturer's declaration for altitude operation)
	≤ 2000 m (in acc. with UL)
Permissible humidity (operation)	5 % ... 95 % (non-condensing)
Permissible humidity (storage/transport)	5 % ... 95 % (non-condensing)

## Approvals

### CE

Certificate	CE-compliant
-------------	--------------

### ATEX

Identification	⊕ II 3 G Ex nA IIC T4 Gc X
Note	Please follow the special installation instructions in the documentation!

### UL, USA/Canada

Identification	508 Listed
	Class I, Zone 2, AEx nA IIC T4
	Class I, Zone 2, Ex nA IIC T4 Gc X
	Class I, Div. 2, Groups A, B, C, D

### Corrosive gas test

# FL MC EF WDM-B SC - FO converters



2902659

<https://www.phoenixcontact.com/sg/products/2902659>

Identification	ISA-S71.04-1985 G3 Harsh Group A
----------------	----------------------------------

## Shipbuilding

Identification	DNV GL
----------------	--------

## Shipbuilding data

Temperature	B
Humidity	A
Vibration	A
EMC	B
Enclosure	Required protection according to the Rules shall be provided upon installation on board

## EMC data

Electromagnetic compatibility	Conformance with EMC Directive 2014/30/EU
-------------------------------	---

## Electrostatic discharge

Standards/regulations	EN 61000-4-2
-----------------------	--------------

## Electrostatic discharge

Contact discharge	± 6 kV (Test Level 3)
Discharge in air	± 8 kV (Test Level 3)
Indirect discharge	± 6 kV
Comments	Criterion B

## Electromagnetic HF field

Standards/regulations	EN 61000-4-3
-----------------------	--------------

## Electromagnetic HF field

Frequency range	80 MHz ... 3 GHz (Test Level 3)
Field intensity	10 V/m
Comments	Criterion A

## Fast transients (burst)

Standards/regulations	EN 61000-4-4
-----------------------	--------------

## Fast transients (burst)

Input	± 2 kV (Test Level 3)
Signal	± 2 kV (Test Level 3)
Comments	Criterion B

## Surge current load (surge)

Standards/regulations	EN 61000-4-5
-----------------------	--------------

## Surge current load (surge)

Input	± 0.5 kV (DC supply)
Signal	± 1 kV (Data line, asymmetrical)
Comments	Criterion B

# FL MC EF WDM-B SC - FO converters



2902659

<https://www.phoenixcontact.com/sg/products/2902659>

## Conducted interference

Standards/regulations	EN 61000-4-6
-----------------------	--------------

## Conducted interference

Frequency range	0.15 MHz ... 80 MHz
Comments	Criterion A
Voltage	10 V

## Emitted interference

Standards/regulations	EN 55032
Comments	Class A, industrial applications

## Criteria

Criterion A	Normal operating behavior within the specified limits.
Criterion B	Temporary impairment to operational behavior that is corrected by the device itself.

## Standards and regulations

Free from substances that could impair the application of coating	VDMA 24364:2018-05
Electrical isolation	according to IEEE 802.3

## Mounting

Mounting type	DIN rail mounting
---------------	-------------------

# FL MC EF WDM-B SC - FO converters

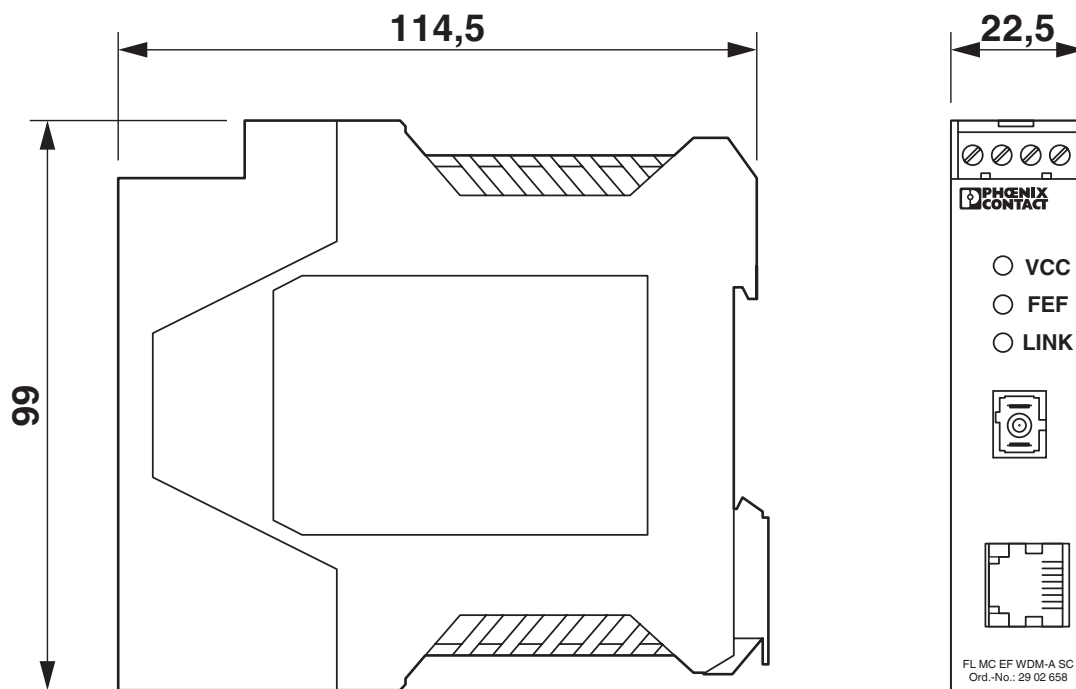


2902659

<https://www.phoenixcontact.com/sg/products/2902659>

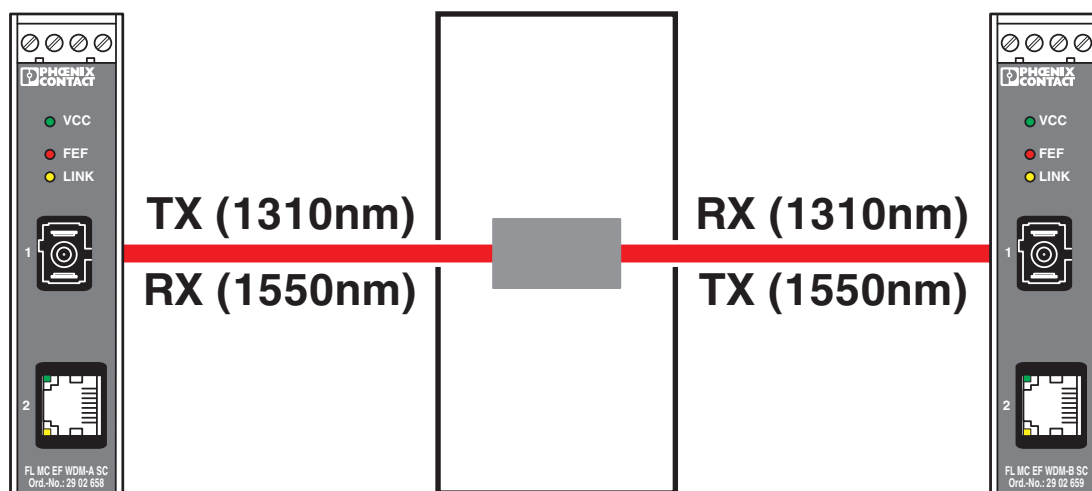
## Drawings

Dimensional drawing



## Slim design

Application drawing



## Slip ring communication

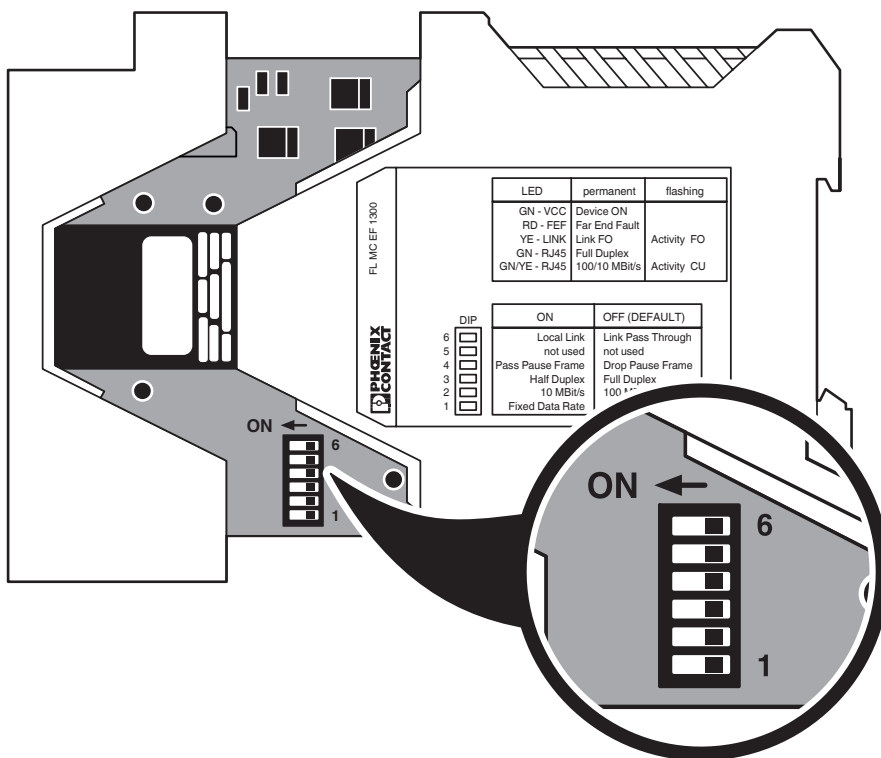
# FL MC EF WDM-B SC - FO converters



2902659

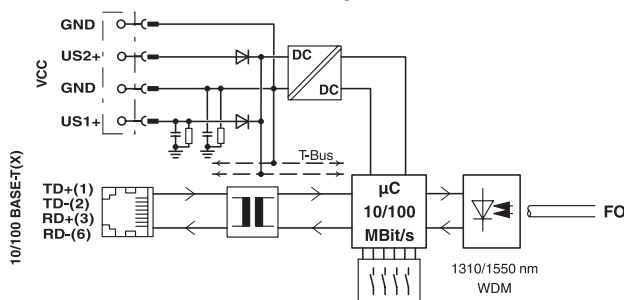
<https://www.phoenixcontact.com/sg/products/2902659>

Schematic diagram



DIP switches

Block diagram



Basic circuit diagram

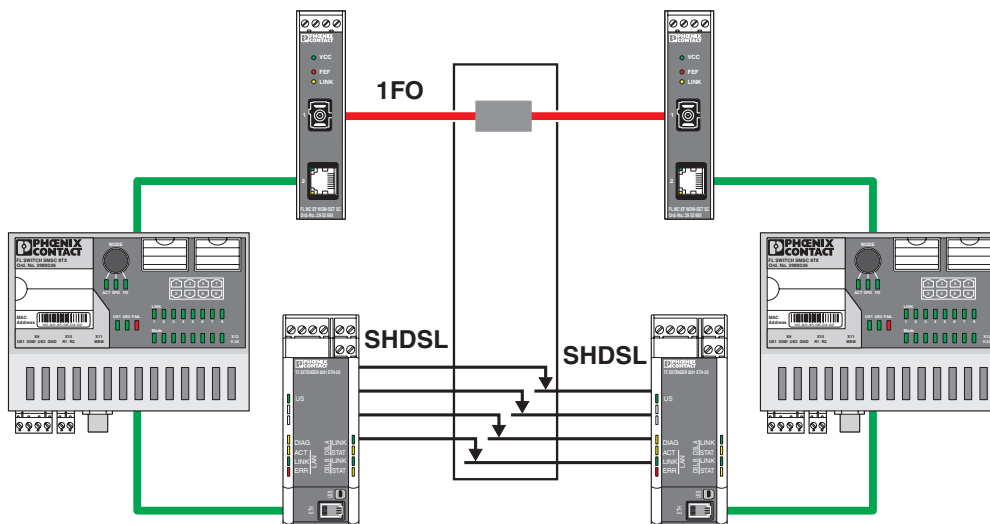
# FL MC EF WDM-B SC - FO converters



2902659

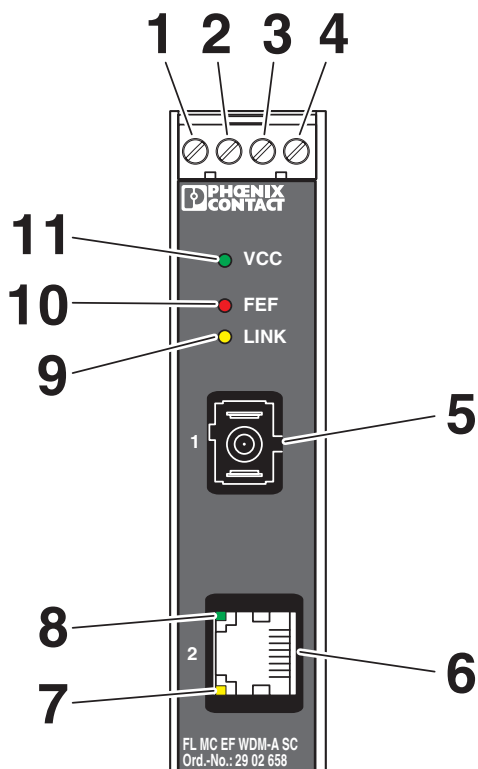
<https://www.phoenixcontact.com/sg/products/2902659>

Application drawing



Redundant slip ring communication

Schematic diagram



Front view



2902659

<https://www.phoenixcontact.com/sg/products/2902659>

## Approvals

To download certificates, visit the product detail page: <https://www.phoenixcontact.com/sg/products/2902659>



**DNV GL**

Approval ID: TAA00001KR



**UL Listed**

Approval ID: E238705



**cUL Listed**

Approval ID: E238705



**cUL Listed**

Approval ID: E199827



**UL Listed**

Approval ID: E199827

**cULus Listed**

**cULus Listed**

# FL MC EF WDM-B SC - FO converters



2902659

<https://www.phoenixcontact.com/sg/products/2902659>

## Classifications

### ECLASS

ECLASS-11.0	19170411
ECLASS-12.0	19170411
ECLASS-13.0	19170411

### ETIM

ETIM 9.0	EC001467
----------	----------

### UNSPSC

UNSPSC 21.0	43201500
-------------	----------

2902659

<https://www.phoenixcontact.com/sg/products/2902659>

## Environmental product compliance

### EU RoHS

Fulfills EU RoHS substance requirements	Yes
Exemption	7(a), 7(c)-I

### China RoHS

Environment friendly use period (EFUP)	EFUP-50
	An article-related China RoHS declaration table can be found in the download area for the respective article under "Manufacturer declaration". For all articles with EFUP-E, no China RoHS declaration table issued and required.

### EU REACH SVHC

REACH candidate substance (CAS No.)	Lead(CAS: 7439-92-1)
SCIP	03938ca7-74e6-467c-b2ac-ea5280eb8b03

Phoenix Contact 2025 © - all rights reserved

<https://www.phoenixcontact.com>

PHOENIX CONTACT SEA Pte. Ltd.

105 Eunos Avenue 3, #04-00

Singapore 409836

+65 6228 4900

[marketing@phoenixcontact.com.sg](mailto:marketing@phoenixcontact.com.sg)