

# VIP-2/SC/PDM-2/24 - Potential distributors



2315269

<https://www.phoenixcontact.com/sg/products/2315269>

Please be informed that the data shown in this PDF document is generated from our online catalog. Please find the complete data in the user documentation. Our general terms of use for downloads are valid.



VARIOFACE module, with two equipotential busbars (P1, P2) for potential distribution, for mounting on NS 35 rails. Module width: 70.4 mm

## Your advantages

- Consecutive numbering
- Separate supply
- Two potential levels

## Commercial data

Item number	2315269
Packing unit	1 pc
Minimum order quantity	1 pc
Sales key	*****
Product key	CK2114
Catalog page	Page 578 (C-5-2019)
GTIN	4046356313377
Weight per piece (including packing)	144.8 g
Weight per piece (excluding packing)	129.6 g
Customs tariff number	85369010
Country of origin	US

## Technical data

### Notes

Type of insulation housing	Polyamide PA non-reinforced, distributor terminal blocks made of PVC
Notes on operation	For proper use, the specifications of the installation directive (see Downloads) must be observed. For applications or use with third-party products, the specifications, and the safety and warning instructions of the respective third-party manufacturer must also be met.

### Product properties

Product type	Potential distributor
Product family	VARIOFACE Professional
Potential connections	Per potential (P1, P2) 2 power/12 distributor terminal blocks

### Data management status

Article revision	10
------------------	----

### Insulation characteristics

Overvoltage category	III
Pollution degree	2

### Electrical properties

Nominal voltage $U_N$	250 V AC/DC
Max. current carrying capacity per branch	15 A
Max. total current of all branches	30 A (per potential)
Rated surge voltage	2.2 kV

### Input data

Potential connections	Per potential (P1, P2) 2 power/12 distributor terminal blocks
-----------------------	---

### Connection data

#### Feed-in

Connection method	Screw connection
Stripping length	8 mm
Screw thread	M3
Number of connections	2
Conductor cross section rigid	0.2 mm <sup>2</sup> ... 6 mm <sup>2</sup>
Conductor cross section flexible	0.2 mm <sup>2</sup> ... 4 mm <sup>2</sup>
Conductor cross section AWG	24 ... 10
Tightening torque	0.5 Nm ... 0.6 Nm

#### Distribution

Connection method	Screw connection
Stripping length	8 mm

# VIP-2/SC/PDM-2/24 - Potential distributors



2315269

<https://www.phoenixcontact.com/sg/products/2315269>

Screw thread	M3
Number of connections	12
Number of positions	2
Conductor cross section rigid	0.2 mm <sup>2</sup> ... 4 mm <sup>2</sup>
Conductor cross section flexible	0.2 mm <sup>2</sup> ... 2.5 mm <sup>2</sup>
Conductor cross section AWG	24 ... 12

## Dimensions

Width	70.4 mm
Height	65.5 mm
Depth	50 mm

## Material specifications

Color	gray (RAL 7042)
-------	-----------------

## Environmental and real-life conditions

### Ambient conditions

Ambient temperature (operation)	-20 °C ... 50 °C (NOTE: At maximum relative humidity < 90%.)
Ambient temperature (storage/transport)	-20 °C ... 70 °C (NOTE: At maximum relative humidity < 90%.)
Altitude	< 2000 m
Permissible humidity (operation)	90 %
Permissible humidity (storage/transport)	90 %

## Standards and regulations

Standards/regulations	EN IEC 61010-2-201
-----------------------	--------------------

## Mounting

Mounting type	DIN rail mounting
Mounting position	any

# VIP-2/SC/PDM-2/24 - Potential distributors

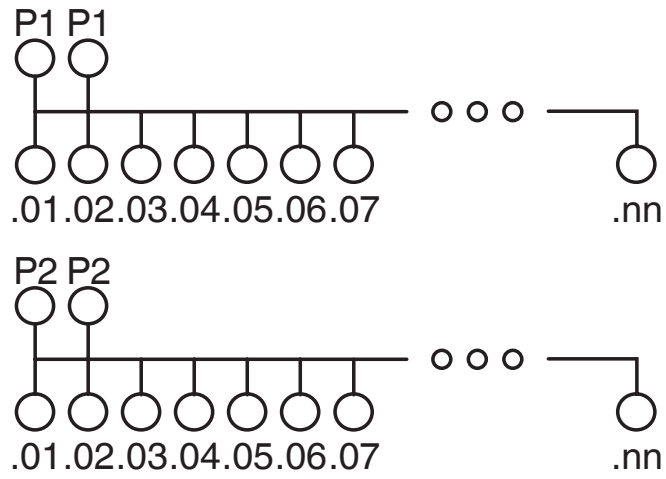
2315269

<https://www.phoenixcontact.com/sg/products/2315269>



## Drawings

Circuit diagram



# VIP-2/SC/PDM-2/24 - Potential distributors





2315269


<https://www.phoenixcontact.com/sg/products/2315269>


## Approvals

To download certificates, visit the product detail page: <https://www.phoenixcontact.com/sg/products/2315269>

 <b>CSA</b> Approval ID: 2122203				
	Nominal voltage $U_N$	Nominal current $I_N$	Cross section AWG	Cross section $\text{mm}^2$
Output	250 V	12 A	30 - 12	-
Input	250 V	12 A	30 - 10	-

 <b>cUL Recognized</b> Approval ID: E238705				
	Nominal voltage $U_N$	Nominal current $I_N$	Cross section AWG	Cross section $\text{mm}^2$
Output	250 V	12 A	30 - 12	-
Input	250 V	12 A	30 - 10	-

 <b>UL Recognized</b> Approval ID: E238705				
	Nominal voltage $U_N$	Nominal current $I_N$	Cross section AWG	Cross section $\text{mm}^2$
Output	250 V	12 A	30 - 12	-
Input	250 V	12 A	30 - 10	-

 <b>CSAus</b> Approval ID: 2122203				
	Nominal voltage $U_N$	Nominal current $I_N$	Cross section AWG	Cross section $\text{mm}^2$
Output	250 V	12 A	30 - 12	-
Input	250 V	12 A	30 - 10	-

<b>cULus Recognized</b>				
-------------------------	--	--	--	--

<b>cCSAus</b>				
---------------	--	--	--	--

# VIP-2/SC/PDM-2/24 - Potential distributors



2315269

<https://www.phoenixcontact.com/sg/products/2315269>

## Classifications

### ECLASS

ECLASS-11.0	27400609
ECLASS-12.0	27400609
ECLASS-13.0	27400609

### ETIM

ETIM 9.0	EC001894
----------	----------

### UNSPSC

UNSPSC 21.0	39121400
-------------	----------

# VIP-2/SC/PDM-2/24 - Potential distributors



2315269

<https://www.phoenixcontact.com/sg/products/2315269>

## Environmental product compliance

### EU RoHS

Fulfills EU RoHS substance requirements	Yes, No exemptions
---	--------------------

### China RoHS

Environment friendly use period (EFUP)	EFUP-E
	No hazardous substances above the limits

### EU REACH SVHC

REACH candidate substance (CAS No.)	No substance above 0.1 wt%
-------------------------------------	----------------------------

Phoenix Contact 2024 © - all rights reserved  
<https://www.phoenixcontact.com>

PHOENIX CONTACT SEA Pte. Ltd.  
105 Eunos Avenue 3, #04-00  
Singapore 409836  
+65 6228 4900  
[marketing@phoenixcontact.com.sg](mailto:marketing@phoenixcontact.com.sg)