

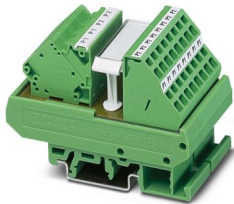
UMK- PVB 2/16/ZFKDS - Potential distributors



2302353

<https://www.phoenixcontact.com/sg/products/2302353>

Please be informed that the data shown in this PDF document is generated from our online catalog. Please find the complete data in the user documentation. Our general terms of use for downloads are valid.



VARIOFACE module, with two equipotential busbars (P1, P2) for potential distribution, for mounting on NS 32 or on NS 35/7.5

Your advantages

- Consecutive numbering
- Separate supply
- Two potential levels

Commercial data

| | |
|--------------------------------------|--------------------|
| Item number | 2302353 |
| Packing unit | 1 pc |
| Minimum order quantity | 1 pc |
| Sales key | 0811* |
| Product key | CK2184 |
| Catalog page | Page 323 (IF-2011) |
| GTIN | 4017918880552 |
| Weight per piece (including packing) | 113.3 g |
| Weight per piece (excluding packing) | 84.37 g |
| Customs tariff number | 85369010 |
| Country of origin | DE |

Technical data

Notes

| | |
|--------------------|--|
| Notes on operation | The necessary requirements for insulation (basic insulation or reinforced insulation) from adjacent modules (in DIN-rail direction) must be realized by applying suitable measures (e. g., partition plates). |
| Notes on operation | Ensure that the supply voltage of the device has a common reference potential. |
| Notes on operation | For proper use, the specifications of the installation directive (see Downloads) must be observed. For applications or use with third-party products, the specifications, and the safety and warning instructions of the respective third-party manufacturer must also be met. |

Product properties

| | |
|----------------|-----------------------|
| Product type | Potential distributor |
| Product family | VARIOFACE |

Data management status

| | |
|------------------|----|
| Article revision | 07 |
|------------------|----|

Insulation characteristics

| | |
|------------------|-----------------------|
| Insulation | Functional insulation |
| Pollution degree | 2 |

Electrical properties

| | |
|---|----------------------|
| Nominal voltage U_N | 250 V AC/DC |
| Max. current carrying capacity per branch | 17 A |
| Max. total current of all branches | 32 A (per potential) |
| Rated insulation voltage | 260 V |
| Rated surge voltage | 2.3 kV |

Connection data

Feed-in

| | |
|----------------------------------|---|
| Connection method | Spring-cage connection |
| Stripping length | 8 mm |
| Number of connections | 2 |
| Conductor cross section rigid | 0.2 mm ² ... 6 mm ² |
| Conductor cross section flexible | 0.2 mm ² ... 4 mm ² |
| Conductor cross section AWG | 24 ... 10 |

Distribution

| | |
|-------------------------------|---|
| Connection method | Spring-cage connection |
| Stripping length | 8 mm |
| Number of connections | 16 |
| Conductor cross section rigid | 0.2 mm ² ... 4 mm ² |

UMK- PVB 2/16/ZFKDS - Potential distributors



2302353

<https://www.phoenixcontact.com/sg/products/2302353>

| | |
|----------------------------------|---|
| Conductor cross section flexible | 0.2 mm ² ... 2.5 mm ² |
| Conductor cross section AWG | 24 ... 12 |

Dimensions

| | |
|--------|---------|
| Width | 45 mm |
| Height | 77 mm |
| Depth | 51.5 mm |

Material specifications

| | |
|-------|------------------|
| Color | green (RAL 6021) |
|-------|------------------|

Environmental and real-life conditions

Ambient conditions

| | |
|---|------------------|
| Degree of protection | IP20 |
| Ambient temperature (operation) | -20 °C ... 50 °C |
| Ambient temperature (storage/transport) | -20 °C ... 70 °C |

Standards and regulations

| | |
|-----------------------|--------------------|
| Standards/regulations | EN IEC 61010-2-201 |
|-----------------------|--------------------|

Mounting

| | |
|-------------------|-------------------|
| Mounting type | DIN rail mounting |
| Mounting position | any |

UMK- PVB 2/16/ZFKDS - Potential distributors

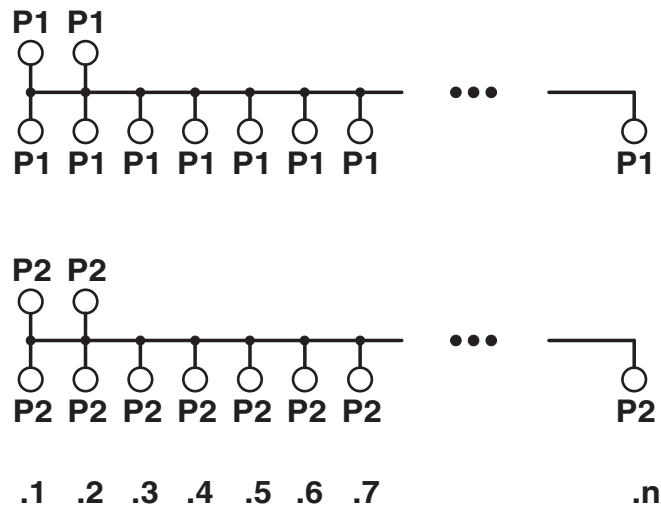
2302353

<https://www.phoenixcontact.com/sg/products/2302353>



Drawings

Circuit diagram



UMK- PVB 2/16/ZFKDS - Potential distributors





2302353

<https://www.phoenixcontact.com/sg/products/2302353>

Approvals

To download certificates, visit the product detail page: <https://www.phoenixcontact.com/sg/products/2302353>

|  cUL Recognized Approval ID: E238705 | | | | |
|---|-----------------------|-----------------------|-------------------|----------------------|
| | Nominal voltage U_N | Nominal current I_N | Cross section AWG | Cross section mm^2 |
| | 250 V | 10 A | - | - |

|  UL Recognized Approval ID: E238705 | | | | |
|--|-----------------------|-----------------------|-------------------|----------------------|
| | Nominal voltage U_N | Nominal current I_N | Cross section AWG | Cross section mm^2 |
| | 250 V | 10 A | - | - |

|  EAC Approval ID: RU*DE.*09.B.00387/20 | |
|--|--|
|--|--|

| cULus Recognized | |
|-------------------------|--|
|-------------------------|--|

UMK- PVB 2/16/ZFKDS - Potential distributors



2302353

<https://www.phoenixcontact.com/sg/products/2302353>

Classifications

ECLASS

| | |
|-------------|----------|
| ECLASS-11.0 | 27400609 |
| ECLASS-12.0 | 27400609 |
| ECLASS-13.0 | 27400609 |

ETIM

| | |
|----------|----------|
| ETIM 9.0 | EC001894 |
|----------|----------|

UNSPSC

| | |
|-------------|----------|
| UNSPSC 21.0 | 39121400 |
|-------------|----------|

UMK- PVB 2/16/ZFKDS - Potential distributors



2302353

<https://www.phoenixcontact.com/sg/products/2302353>

Environmental product compliance

EU RoHS

| | |
|---|--------------------|
| Fulfills EU RoHS substance requirements | Yes, No exemptions |
|---|--------------------|

China RoHS

| | |
|--|--|
| Environment friendly use period (EFUP) | EFUP-E |
| | No hazardous substances above the limits |

EU REACH SVHC

| | |
|-------------------------------------|----------------------------|
| REACH candidate substance (CAS No.) | No substance above 0.1 wt% |
|-------------------------------------|----------------------------|

Phoenix Contact 2024 © - all rights reserved
<https://www.phoenixcontact.com>

PHOENIX CONTACT SEA Pte. Ltd.
105 Eunos Avenue 3, #04-00
Singapore 409836
+65 6228 4900
marketing@phoenixcontact.com.sg