

UKK 3-MSTB-5,08 - Double-level terminal block



2770888

<https://www.phoenixcontact.com/sg/products/2770888>

Please be informed that the data shown in this PDF document is generated from our online catalog. Please find the complete data in the user documentation. Our general terms of use for downloads are valid.



Double-level terminal block, Current and voltage are determined by the plug used., nom. voltage: 250 V, nominal current: 10 A, connection method: Screw/plug-in connection, 1st and 2nd level connection left, cross section: 0.2 mm² - 4 mm², mounting type: NS 35/7,5, NS 35/15, NS 32, color: gray

Commercial data

Item number	2770888
Packing unit	50 pc
Minimum order quantity	1 pc
Sales key	0121*
Product key	BE1241
Catalog page	Page 324 (CL-2005)
GTIN	4017918068110
Weight per piece (including packing)	8.502 g
Weight per piece (excluding packing)	8.177 g
Customs tariff number	85369010
Country of origin	TR

UKK 3-MSTB-5,08 - Double-level terminal block



2770888

<https://www.phoenixcontact.com/sg/products/2770888>

Technical data

Notes

General	Current and voltage are determined by the plug used.
---------	--

Product properties

Product type	Multi-level terminal block
Number of positions	1
Pitch	5.08 mm
Number of connections	4
Number of rows	2
Potentials	2

Insulation characteristics

Overvoltage category	III
Degree of pollution	3

Electrical properties

Rated surge voltage	4 kV
Maximum power dissipation for nominal condition	0 W

Connection data

1st and 2nd level connection left

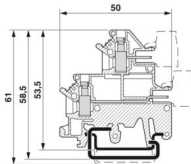
Screw thread	M3
Tightening torque	0.5 ... 0.6 Nm
Stripping length	8 mm
Internal cylindrical gage	A3
Conductor cross section rigid	0.2 mm ² ... 4 mm ²
Cross section AWG	24 ... 12 (converted acc. to IEC)
Conductor cross section flexible	0.2 mm ² ... 2.5 mm ²
Conductor cross section, flexible [AWG]	24 ... 14 (converted acc. to IEC)
Conductor cross-section flexible (ferrule without plastic sleeve)	0.25 mm ² ... 2.5 mm ²
Flexible conductor cross section (ferrule with plastic sleeve)	0.25 mm ² ... 1.5 mm ²
Conductor cross-section flexible (2 conductors with the same cross-section, with TWIN ferrule and plastic sleeve)	0.5 mm ² ... 1 mm ²
2 conductors with same cross section, solid	0.2 mm ² ... 1.5 mm ²
2 conductors with same cross section, flexible	0.2 mm ² ... 1 mm ²
2 conductors with same cross section, flexible, with ferrule without plastic sleeve	0.25 mm ² ... 0.5 mm ²
2 conductors with the same cross section, flexible, with TWIN ferrule with plastic sleeve	0.5 mm ² ... 1 mm ²
Nominal current	10 A
Maximum load current	12 A (with 4 mm ² conductor cross section)
Nominal voltage	250 V

UKK 3-MSTB-5,08 - Double-level terminal block

2770888

<https://www.phoenixcontact.com/sg/products/2770888>

Dimensions

Dimensional drawing	
Width	5.08 mm
End cover width	2.5 mm
Height	50 mm
Depth on NS 35/7,5	53.5 mm
Pitch	5.08 mm

Material specifications

Color	gray (RAL 7042)
Flammability rating according to UL 94	V2
Insulating material group	I
Insulating material	PA
Static insulating material application in cold	-40 °C
Temperature index of insulation material (DIN EN 60216-1 (VDE 0304-21))	125 °C
Relative insulation material temperature index (Elec., UL 746 B)	125 °C

Electrical tests

Power-frequency withstand voltage

Test voltage setpoint	2.21 kV
Result	Test passed

Mechanical properties

Mechanical data

Open side panel	Yes
-----------------	-----

Environmental and real-life conditions

Needle-flame test

Time of exposure	30 s
Result	Test passed

Oscillation/broadband noise

Specification	DIN EN 50155 (VDE 0115-200):2018-05
Spectrum	Service life test category 2, bogie-mounted
Frequency	$f_1 = 5 \text{ Hz}$ to $f_2 = 250 \text{ Hz}$
ASD level	6.12 (m/s ²)/Hz
Acceleration	3.12g

UKK 3-MSTB-5,08 - Double-level terminal block



2770888

<https://www.phoenixcontact.com/sg/products/2770888>

Test duration per axis	5 h
Test directions	X-, Y- and Z-axis
Result	Test passed

Shocks

Pulse shape	Half-sine
Acceleration	30g
Shock duration	18 ms
Number of shocks per direction	3
Test directions	X-, Y- and Z-axis (pos. and neg.)
Result	Test passed

Ambient conditions

Ambient temperature (operation)	-60 °C (max. operating temperature see derating curve)
Ambient temperature (storage/transport)	-25 °C ... 60 °C (for a short time, not exceeding 24 h, -60 °C to +70 °C)
Ambient temperature (assembly)	-5 °C ... 70 °C
Ambient temperature (actuation)	-5 °C ... 70 °C
Permissible humidity (operation)	20 % ... 90 %
Permissible humidity (storage/transport)	30 % ... 70 %

Mounting

Mounting type	NS 35/7,5
	NS 35/15
	NS 32

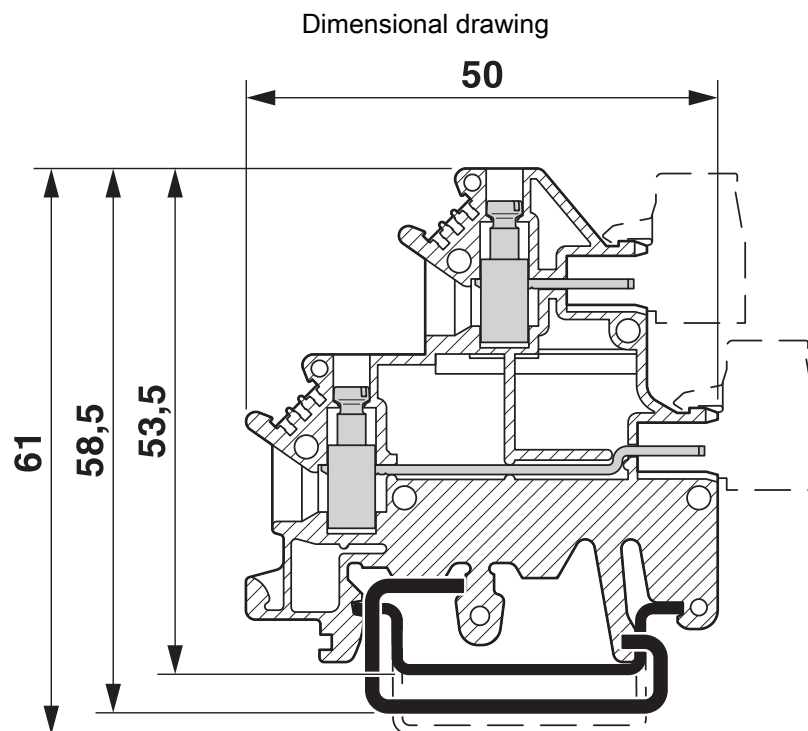
UKK 3-MSTB-5,08 - Double-level terminal block

2770888

<https://www.phoenixcontact.com/sg/products/2770888>



Drawings



UKK 3-MSTB-5,08 - Double-level terminal block





2770888

<https://www.phoenixcontact.com/sg/products/2770888>

Approvals

To download certificates, visit the product detail page: <https://www.phoenixcontact.com/sg/products/2770888>

 CSA Approval ID: 13631				
	Nominal voltage U_N	Nominal current I_N	Cross section AWG	Cross section mm^2
	300 V	10 A	28 - 12	-

 cULus Recognized Approval ID: E60425				
	Nominal voltage U_N	Nominal current I_N	Cross section AWG	Cross section mm^2
Use group B	300 V	10 A	30 - 12	-
Use group F	250 V	10 A	30 - 12	-
Use group D	300 V	10 A	30 - 12	-

UKK 3-MSTB-5,08 - Double-level terminal block



2770888

<https://www.phoenixcontact.com/sg/products/2770888>

Classifications

ECLASS

ECLASS-11.0	27141120
ECLASS-13.0	27250102

ETIM

ETIM 9.0	EC000897
----------	----------

UNSPSC

UNSPSC 21.0	39121400
-------------	----------

2770888

<https://www.phoenixcontact.com/sg/products/2770888>

Environmental product compliance

EU RoHS

Fulfills EU RoHS substance requirements	Yes
Exemption	6(c)

China RoHS

Environment friendly use period (EFUP)	EFUP-50
	An article-related China RoHS declaration table can be found in the download area for the respective article under "Manufacturer declaration". For all articles with EFUP-E, no China RoHS declaration table issued and required.

EU REACH SVHC

REACH candidate substance (CAS No.)	Lead(CAS: 7439-92-1)
SCIP	996774be-3753-40da-a58c-34de067a70d5

Phoenix Contact 2025 © - all rights reserved

<https://www.phoenixcontact.com>

PHOENIX CONTACT SEA Pte. Ltd.

105 Eunos Avenue 3, #04-00

Singapore 409836

+65 6228 4900

marketing@phoenixcontact.com.sg