

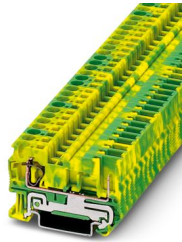
ST 4/ 1P-PE - Spring cage ground terminal block



3042722

<https://www.phoenixcontact.com/sg/products/3042722>

Please be informed that the data shown in this PDF document is generated from our online catalog. Please find the complete data in the user documentation. Our general terms of use for downloads are valid.



Spring cage ground terminal block, number of connections: 2, connection method: Spring-cage/plug-in connection, 1st level connection left, cross section: $0.08 \text{ mm}^2 - 6 \text{ mm}^2$, 1st level connection right, mounting type: NS 35/7,5, NS 35/15, color: green-yellow

Your advantages

- Same shape and pitch as the basic terminal blocks
- Tested for railway applications

Commercial data

Item number	3042722
Packing unit	50 pc
Minimum order quantity	50 pc
Sales key	0167*
Product key	BE2142
Catalog page	Page 339 (C-1-2019)
GTIN	4017918956042
Weight per piece (including packing)	10.9 g
Weight per piece (excluding packing)	10.9 g
Customs tariff number	85369010
Country of origin	PL

ST 4/ 1P-PE - Spring cage ground terminal block

3042722

<https://www.phoenixcontact.com/sg/products/3042722>

Technical data

Product properties

Product type	Ground terminal block
Area of application	Railway industry
	Machine building
	Plant engineering
Number of connections	2
Number of rows	1

Insulation characteristics

Overvoltage category	III
Degree of pollution	3

Electrical properties

Rated surge voltage	6 kV
Maximum power dissipation for nominal condition	1.02 W

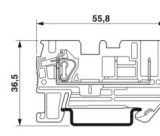
Connection data

Number of connections per level	2
Nominal cross section	4 mm ²

1st level connection left

Note	Please observe the current carrying capacity of the DIN rails.
Stripping length	8 mm ... 10 mm
Internal cylindrical gage	A3
Connection in acc. with standard	IEC 61984
Conductor cross section rigid	0.08 mm ² ... 6 mm ²
Cross section AWG	28 ... 10 (converted acc. to IEC)
Conductor cross section flexible	0.08 mm ² ... 4 mm ²
Conductor cross section, flexible [AWG]	28 ... 12 (converted acc. to IEC)
Conductor cross-section flexible (ferrule without plastic sleeve)	0.14 mm ² ... 4 mm ²
Flexible conductor cross section (ferrule with plastic sleeve)	0.14 mm ² ... 4 mm ²

Dimensions

Dimensional drawing	
Width	6.2 mm
End cover width	2.2 mm
Height	55.8 mm
Depth on NS 35/7,5	36.5 mm
Depth on NS 35/15	44 mm

ST 4/ 1P-PE - Spring cage ground terminal block



3042722

<https://www.phoenixcontact.com/sg/products/3042722>

Material specifications

Color	green-yellow
Flammability rating according to UL 94	V0
Insulating material group	I
Insulating material	PA
Static insulating material application in cold	-60 °C
Temperature index of insulation material (DIN EN 60216-1 (VDE 0304-21))	130 °C
Relative insulation material temperature index (Elec., UL 746 B)	130 °C
Fire protection for rail vehicles (DIN EN 45545-2) R22	HL 1 - HL 3
Fire protection for rail vehicles (DIN EN 45545-2) R23	HL 1 - HL 3
Fire protection for rail vehicles (DIN EN 45545-2) R24	HL 1 - HL 3
Fire protection for rail vehicles (DIN EN 45545-2) R26	HL 1 - HL 3
Calorimetric heat release NFPA 130 (ASTM E 1354)	28 MJ/kg
Surface flammability NFPA 130 (ASTM E 162)	passed
Specific optical density of smoke NFPA 130 (ASTM E 662)	passed
Smoke gas toxicity NFPA 130 (SMP 800C)	passed

Mechanical properties

Mechanical data

Open side panel	Yes
-----------------	-----

Environmental and real-life conditions

Ambient conditions

Ambient temperature (operation)	-60 °C (max. operating temperature see derating curve)
Ambient temperature (storage/transport)	-25 °C ... 60 °C (for a short time, not exceeding 24 h, -60 °C to +70 °C)
Ambient temperature (assembly)	-5 °C ... 70 °C
Ambient temperature (actuation)	-5 °C ... 70 °C
Permissible humidity (operation)	20 % ... 90 %
Permissible humidity (storage/transport)	30 % ... 70 %

Standards and regulations

Connection in acc. with standard	IEC 61984
----------------------------------	-----------

Mounting

Mounting type	NS 35/7,5
	NS 35/15

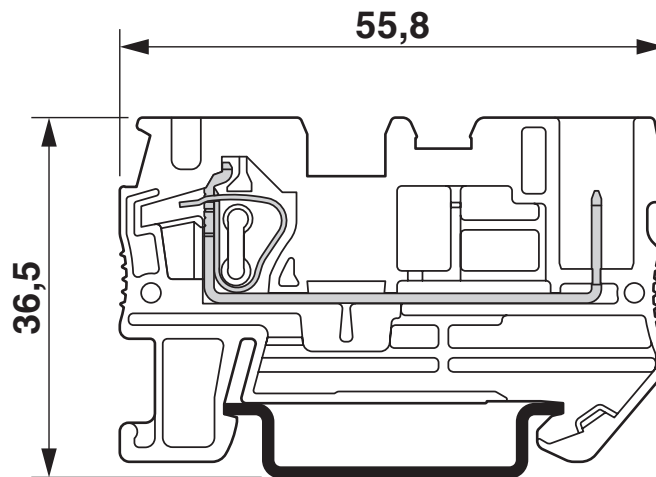
ST 4/ 1P-PE - Spring cage ground terminal block

3042722

<https://www.phoenixcontact.com/sg/products/3042722>

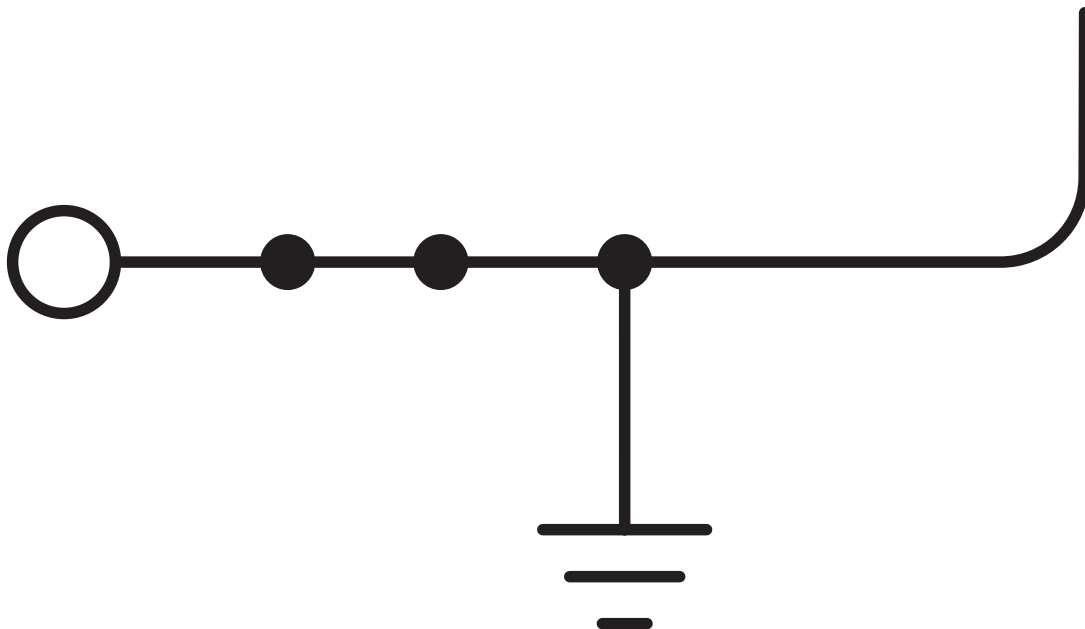
Drawings

Dimensional drawing



The figure shows the terminal with the plug version SP 4/...

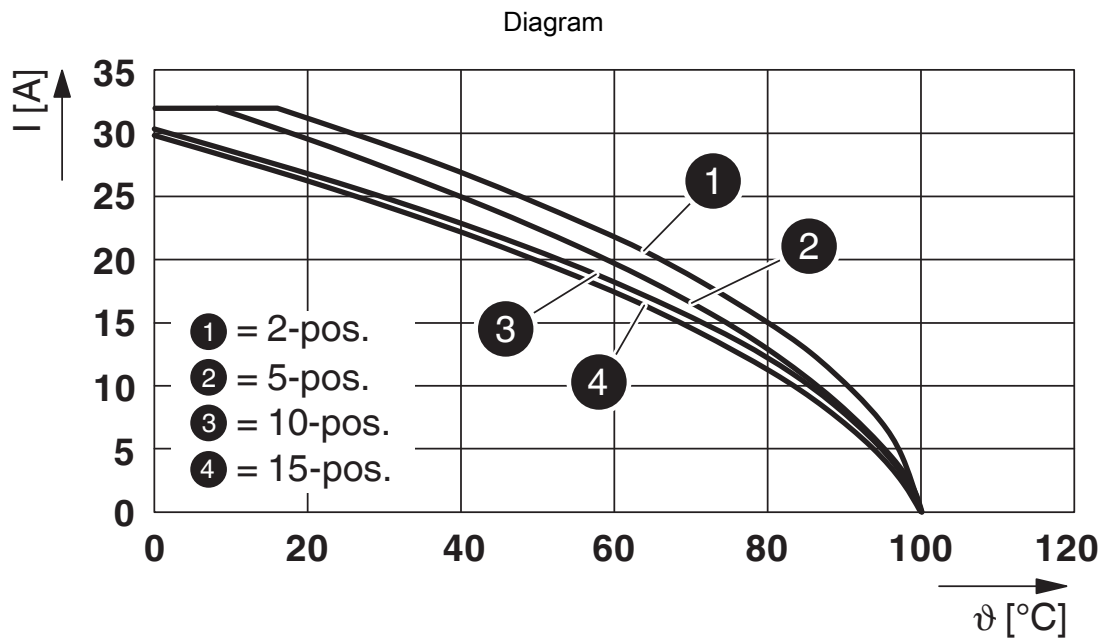
Circuit diagram



ST 4/ 1P-PE - Spring cage ground terminal block

3042722

<https://www.phoenixcontact.com/sg/products/3042722>



Derating curve for spring-cage terminals ST 4/1P.. and ST 4/2P.. with all plug versions SP 4/... . The derating curves are determined by multiplying the values of the base curves by the factor 0.8.

ST 4/ 1P-PE - Spring cage ground terminal block





3042722

<https://www.phoenixcontact.com/sg/products/3042722>


Approvals


To download certificates, visit the product detail page: <https://www.phoenixcontact.com/sg/products/3042722>

 CSA Approval ID: 13631				
	Nominal voltage U_N	Nominal current I_N	Cross section AWG	Cross section mm^2
	-	-	28 - 10	-

 IECEE CB Scheme Approval ID: DE1-62736/B1/B2				
	Nominal voltage U_N	Nominal current I_N	Cross section AWG	Cross section mm^2
	-	-	-	0.2 - 6

 EAC Approval ID: RU C-DE.BL08.B.00644				
--	--	--	--	--

 VDE Zeichengenehmigung Approval ID: 40019518				
	Nominal voltage U_N	Nominal current I_N	Cross section AWG	Cross section mm^2
	-	-	-	0.2 - 4

 cULus Recognized Approval ID: E60425				
	Nominal voltage U_N	Nominal current I_N	Cross section AWG	Cross section mm^2
Use group B	-	-	28 - 10	-
Use group C	-	-	28 - 10	-

 EAC Approval ID: EACKZ 08593				
--	--	--	--	--

ST 4/ 1P-PE - Spring cage ground terminal block



3042722

<https://www.phoenixcontact.com/sg/products/3042722>

Classifications

ECLASS

ECLASS-11.0	27141141
ECLASS-13.0	27250117

ETIM

ETIM 9.0	EC000897
----------	----------

UNSPSC

UNSPSC 21.0	39121400
-------------	----------

ST 4/ 1P-PE - Spring cage ground terminal block



3042722

<https://www.phoenixcontact.com/sg/products/3042722>

Environmental product compliance

EU RoHS

Fulfills EU RoHS substance requirements	Yes, No exemptions
---	--------------------

China RoHS

Environment friendly use period (EFUP)	EFUP-E
	No hazardous substances above the limits

EU REACH SVHC

REACH candidate substance (CAS No.)	No substance above 0.1 wt%
-------------------------------------	----------------------------

Phoenix Contact 2025 © - all rights reserved
<https://www.phoenixcontact.com>

PHOENIX CONTACT SEA Pte. Ltd.
105 Eunos Avenue 3, #04-00
Singapore 409836
+65 6228 4900
marketing@phoenixcontact.com.sg