

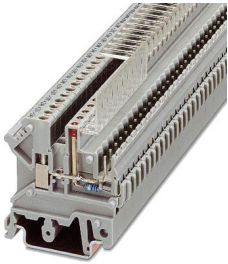
# UK 3-MVSTB-5,08-LA 24RD - Feed-through terminal block



3002102

<https://www.phoenixcontact.com/sg/products/3002102>

Please be informed that the data shown in this PDF document is generated from our online catalog. Please find the complete data in the user documentation. Our general terms of use for downloads are valid.



Feed-through terminal block, nom. voltage: 250 V, nominal current: 12 A, number of connections: 2, number of positions: 1, connection method: Screw/plug-in connection, 1st level connection left, cross section: 0.2 mm<sup>2</sup> - 4 mm<sup>2</sup>, mounting type: NS 32, NS 35/15, NS 35/7,5, color: gray

## Commercial data

Item number	3002102
Packing unit	50 pc
Minimum order quantity	1 pc
Note	Made to order (non-returnable)
Sales key	0100*
Product key	BE1241
Catalog page	Page 323 (CL-2005)
GTIN	4017918090111
Weight per piece (including packing)	7.82 g
Weight per piece (excluding packing)	7.82 g
Customs tariff number	85369010
Country of origin	PL

# UK 3-MVSTB-5,08-LA 24RD - Feed-through terminal block



3002102

<https://www.phoenixcontact.com/sg/products/3002102>

## Technical data

### Notes

General	Current and voltage are determined by the plug used.
---------	--

### Product properties

Product type	Feed-through terminal block
Product family	UK 3-MVSTB
Number of positions	1
Pitch	5.08 mm
Number of connections	2
Number of rows	1
Potentials	1

### Insulation characteristics

Overvoltage category	III
Degree of pollution	3

### Electrical properties

Rated surge voltage	4 kV
Maximum power dissipation for nominal condition	0 W

### Connection data

#### 1st level connection left

Screw thread	M3
Tightening torque	0.5 ... 0.6 Nm
Stripping length	8 mm
Internal cylindrical gage	A3
Conductor cross section rigid	0.2 mm <sup>2</sup> ... 4 mm <sup>2</sup>
Cross section AWG	24 ... 12 (converted acc. to IEC)
Conductor cross section flexible	0.2 mm <sup>2</sup> ... 2.5 mm <sup>2</sup>
Conductor cross section, flexible [AWG]	24 ... 14 (converted acc. to IEC)
Conductor cross-section flexible (ferrule without plastic sleeve)	0.25 mm <sup>2</sup> ... 2.5 mm <sup>2</sup>
Flexible conductor cross section (ferrule with plastic sleeve)	0.25 mm <sup>2</sup> ... 1.5 mm <sup>2</sup>
2 conductors with same cross section, solid	0.2 mm <sup>2</sup> ... 1.5 mm <sup>2</sup>
2 conductors with same cross section, flexible	0.2 mm <sup>2</sup> ... 1 mm <sup>2</sup>
2 conductors with same cross section, flexible, with ferrule without plastic sleeve	0.25 mm <sup>2</sup> ... 0.5 mm <sup>2</sup>
2 conductors with the same cross section, flexible, with TWIN ferrule with plastic sleeve	0.5 mm <sup>2</sup> ... 1 mm <sup>2</sup>
Nominal current	12 A
Maximum load current	12 A (with 4 mm <sup>2</sup> conductor cross section)
Nominal voltage	250 V (is determined by the LED)

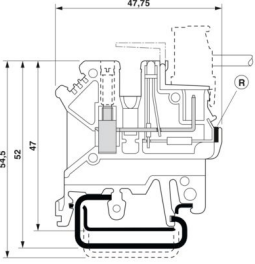
# UK 3-MVSTB-5,08-LA 24RD - Feed-through terminal block



3002102

<https://www.phoenixcontact.com/sg/products/3002102>

## Dimensions

Dimensional drawing	
Width	5.08 mm
End cover width	2.5 mm
Pitch	5.08 mm

## Material specifications

Color	gray (RAL 7042)
Flammability rating according to UL 94	V2
Insulating material group	I
Insulating material	PA
Contact surface	Tin Sn

## Mechanical properties

### Mechanical data

Open side panel	Yes
-----------------	-----

## Environmental and real-life conditions

### Ambient conditions

Ambient temperature (storage/transport)	-25 °C ... 60 °C (for a short time, not exceeding 24 h, -60 °C to +70 °C)
Ambient temperature (assembly)	-5 °C ... 70 °C
Ambient temperature (actuation)	-5 °C ... 70 °C
Permissible humidity (storage/transport)	30 % ... 70 %

## Mounting

Mounting type	NS 32
	NS 35/15
	NS 35/7,5

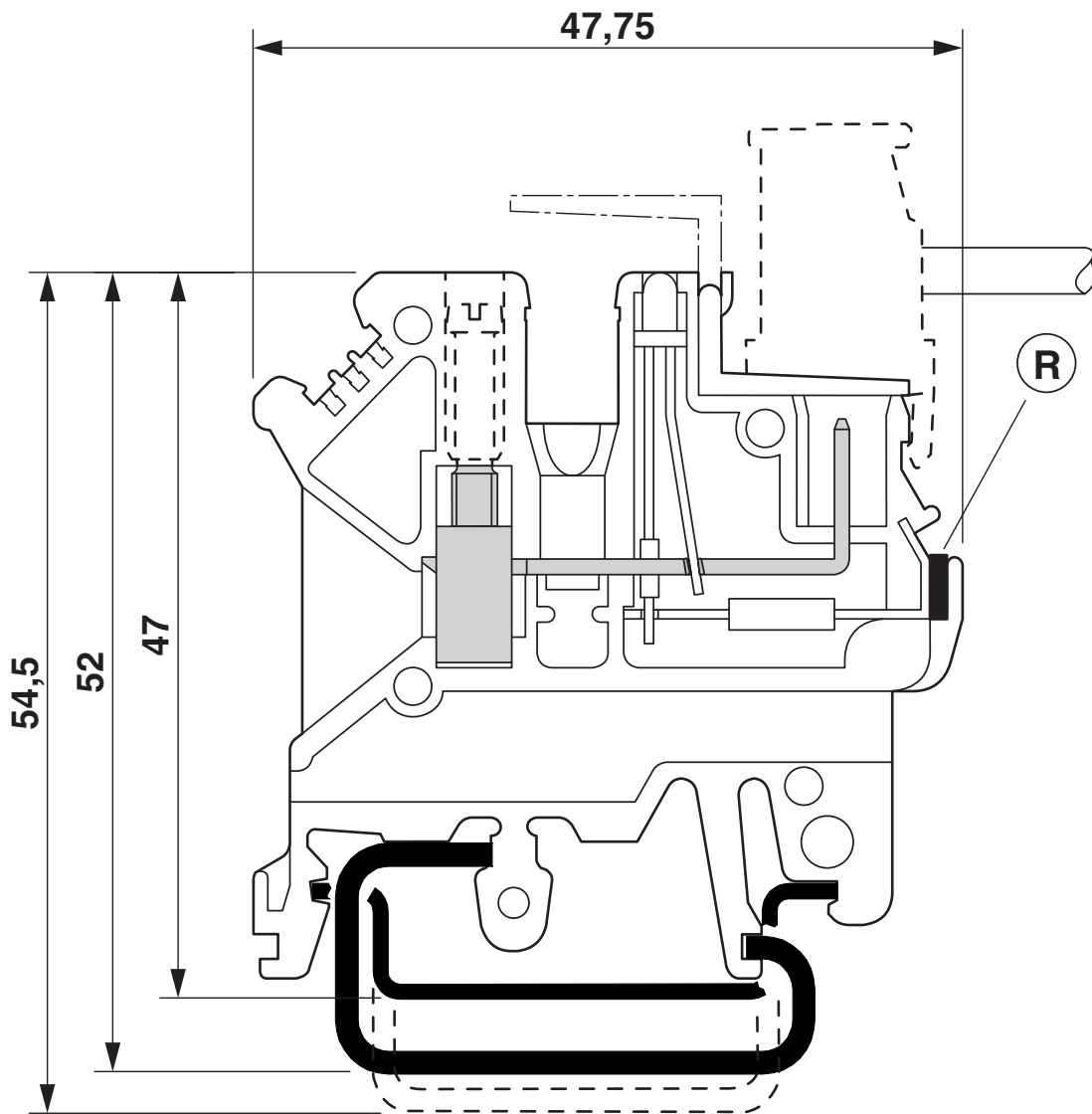
# UK 3-MVSTB-5,08-LA 24RD - Feed-through terminal block

3002102

<https://www.phoenixcontact.com/sg/products/3002102>

## Drawings

Dimensional drawing



# UK 3-MVSTB-5,08-LA 24RD - Feed-through terminal block



3002102

<https://www.phoenixcontact.com/sg/products/3002102>

## Classifications

### ECLASS

ECLASS-11.0

27141120

### ETIM

ETIM 8.0

EC000897

### UNSPSC

UNSPSC 21.0

39121400

# UK 3-MVSTB-5,08-LA 24RD - Feed-through terminal block



3002102

<https://www.phoenixcontact.com/sg/products/3002102>

## Environmental product compliance

### EU RoHS

Fulfills EU RoHS substance requirements	Yes, No exemptions
---	--------------------

### China RoHS

Environment friendly use period (EFUP)	EFUP-E
	No hazardous substances above the limits

### EU REACH SVHC

REACH candidate substance (CAS No.)	No substance above 0.1 wt%
-------------------------------------	----------------------------

Phoenix Contact 2025 © - all rights reserved  
<https://www.phoenixcontact.com>

PHOENIX CONTACT SEA Pte. Ltd.  
105 Eunos Avenue 3, #04-00  
Singapore 409836  
+65 6228 4900  
[marketing@phoenixcontact.com.sg](mailto:marketing@phoenixcontact.com.sg)