

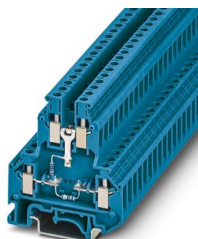
# UKK 5-2R/1K4/UL-UR/10K/O-UL BU - Component terminal block



3070614

<https://www.phoenixcontact.com/sg/products/3070614>

Please be informed that the data shown in this PDF document is generated from our online catalog. Please find the complete data in the user documentation. Our general terms of use for downloads are valid.



Component terminal block, with two soldered-in resistors, 1.4 kOhm and 10 kOhm, nom. voltage: 500 V, nominal current: 32 A, number of connections: 4, connection method: Screw connection, 1st and 2nd level, Rated cross section: 4 mm<sup>2</sup>, cross section: 0.2 mm<sup>2</sup> - 4 mm<sup>2</sup>, mounting type: NS 35/7,5, NS 35/15, NS 32, color: blue

## Commercial data

Item number	3070614
Packing unit	50 pc
Minimum order quantity	50 pc
Note	Made to order (non-returnable)
Sales key	*****
Product key	BE1273
GTIN	4046356580687
Weight per piece (including packing)	16.189 g
Weight per piece (excluding packing)	16.189 g
Customs tariff number	85369010
Country of origin	CN

# UKK 5-2R/1K4/UL-UR/10K/O-UL BU - Component terminal block



3070614

<https://www.phoenixcontact.com/sg/products/3070614>

## Technical data

### Product properties

Product type	Component terminal block
Number of connections	4
Number of rows	2
Potentials	2

### Insulation characteristics

Overvoltage category	III
Degree of pollution	3

### Electrical properties

Rated surge voltage	6 kV
Maximum power dissipation for nominal condition	1.02 W

### Connection data

Number of connections per level	2
Nominal cross section	4 mm <sup>2</sup>

### 1st and 2nd level

Screw thread	M3
Tightening torque	0.6 ... 0.8 Nm
Stripping length	8 mm
Internal cylindrical gage	A4
Connection in acc. with standard	IEC / EN
Conductor cross section rigid	0.2 mm <sup>2</sup> ... 4 mm <sup>2</sup>
Cross section AWG	24 ... 12 (converted acc. to IEC)
Conductor cross section flexible	0.2 mm <sup>2</sup> ... 4 mm <sup>2</sup>
Conductor cross section, flexible [AWG]	24 ... 12 (converted acc. to IEC)
Conductor cross-section flexible (ferrule without plastic sleeve)	0.25 mm <sup>2</sup> ... 4 mm <sup>2</sup>
Flexible conductor cross section (ferrule with plastic sleeve)	0.25 mm <sup>2</sup> ... 2.5 mm <sup>2</sup>
2 conductors with same cross section, solid	0.2 mm <sup>2</sup> ... 1.5 mm <sup>2</sup>
2 conductors with same cross section, flexible	0.2 mm <sup>2</sup> ... 1.5 mm <sup>2</sup>
2 conductors with same cross section, flexible, with ferrule without plastic sleeve	0.25 mm <sup>2</sup> ... 1.5 mm <sup>2</sup>
2 conductors with the same cross section, flexible, with TWIN ferrule with plastic sleeve	0.5 mm <sup>2</sup> ... 1.5 mm <sup>2</sup>
Nominal current	32 A
Maximum load current	32 A (with 4 mm <sup>2</sup> conductor cross section)
Nominal voltage	500 V (Data is based on the dielectric strength of adjacent terminal blocks or of the DINg rail.)
Nominal cross section	4 mm <sup>2</sup>
Cross-section with insertion bridge, rigid	4 mm <sup>2</sup>

# UKK 5-2R/1K4/UL-UR/10K/O-UL BU - Component terminal block



3070614

<https://www.phoenixcontact.com/sg/products/3070614>

Cross-section with insertion bridge, flexible	2.5 mm <sup>2</sup>
---	---------------------

## Dimensions

Width	6.2 mm
End cover width	2.5 mm

## Material specifications

Color	blue (RAL 5015)
Flammability rating according to UL 94	V0
Insulating material group	I
Insulating material	PA

## Mechanical properties

### Mechanical data

Open side panel	Yes
-----------------	-----

## Environmental and real-life conditions

### Ambient conditions

Ambient temperature (storage/transport)	-25 °C ... 60 °C (for a short time, not exceeding 24 h, -60 °C to +70 °C)
Ambient temperature (assembly)	-5 °C ... 70 °C
Ambient temperature (actuation)	-5 °C ... 70 °C
Permissible humidity (storage/transport)	30 % ... 70 %

## Standards and regulations

Connection in acc. with standard	IEC / EN
----------------------------------	----------

## Mounting

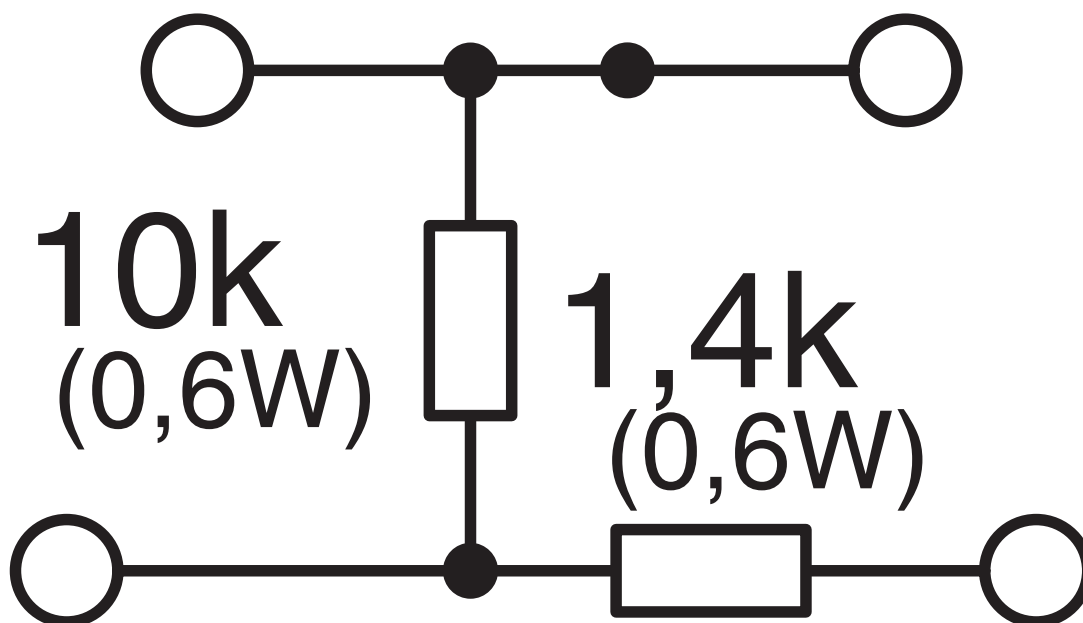
Mounting type	NS 35/7,5
	NS 35/15
	NS 32

3070614

<https://www.phoenixcontact.com/sg/products/3070614>

Drawings

Circuit diagram



# UKK 5-2R/1K4/UL-UR/10K/O-UL BU - Component terminal block



3070614

<https://www.phoenixcontact.com/sg/products/3070614>

## Classifications

### ECLASS

ECLASS-11.0	27141127
-------------	----------

### ETIM

ETIM 8.0	EC000903
----------	----------

### UNSPSC

UNSPSC 21.0	39121400
-------------	----------

# UKK 5-2R/1K4/UL-UR/10K/O-UL BU - Component terminal block



3070614

<https://www.phoenixcontact.com/sg/products/3070614>

## Environmental product compliance

### EU RoHS

Fulfills EU RoHS substance requirements	Yes, No exemptions
---	--------------------

### China RoHS

Environment friendly use period (EFUP)	EFUP-E
	No hazardous substances above the limits

### EU REACH SVHC

REACH candidate substance (CAS No.)	No substance above 0.1 wt%
-------------------------------------	----------------------------

Phoenix Contact 2025 © - all rights reserved  
<https://www.phoenixcontact.com>

PHOENIX CONTACT SEA Pte. Ltd.  
105 Eunos Avenue 3, #04-00  
Singapore 409836  
+65 6228 4900  
[marketing@phoenixcontact.com.sg](mailto:marketing@phoenixcontact.com.sg)