

UKH 95-FE - High-current terminal block



3247054

<https://www.phoenixcontact.com/pc/products/3247054>

Please be informed that the data shown in this PDF document is generated from our online catalog. Please find the complete data in the user documentation. Our general terms of use for downloads are valid.



High-current terminal block, nom. voltage: 1000 V, nominal current: 232 A, number of connections: 2, connection method: Screw connection, Rated cross section: 95 mm², cross section: 25 mm² - 95 mm², mounting type: NS 35/15, NS 32, color: black/yellow

Your advantages

- Reliable cable connection is ensured by three-point centering of the conductor in the prismatic sleeve base
- Screw locking by means of spring-loaded elements in the clamping part
- Low contact resistance of the contact surface due to ribbing

Commercial data

| | |
|--------------------------------------|---------------|
| Item number | 3247054 |
| Packing unit | 3 pc |
| Minimum order quantity | 3 pc |
| Product key | BE1311 |
| GTIN | 4046356707206 |
| Weight per piece (including packing) | 227.766 g |
| Weight per piece (excluding packing) | 203 g |
| Customs tariff number | 85369010 |
| Country of origin | IN |

Technical data

Product properties

| | |
|-----------------------|-----------------------------|
| Product type | High current terminal block |
| Number of connections | 2 |
| Number of rows | 1 |
| Potentials | 1 |

Insulation characteristics

| | |
|----------------------|-----|
| Overvoltage category | III |
| Degree of pollution | 3 |

Electrical properties

| | |
|---|--------|
| Rated surge voltage | 8 kV |
| Maximum power dissipation for nominal condition | 7.54 W |

Connection data

| | |
|---------------------------------|--------------------|
| Number of connections per level | 2 |
| Nominal cross section | 95 mm ² |

Level 1 above 1 below 1

| | |
|---|--|
| Screw thread | M8 |
| Note | Screws with hexagonal socket |
| Tightening torque | 15 ... 20 Nm |
| Stripping length | 33 mm |
| Connection in acc. with standard | IEC 60947-7-1 |
| Conductor cross section rigid | 25 mm ² ... 95 mm ² |
| Cross section AWG | 2 ... 3/0 (converted acc. to IEC) |
| Conductor cross section flexible | 35 mm ² ... 95 mm ² |
| Conductor cross section, flexible [AWG] | 1/0 ... 3/0 (converted acc. to IEC) |
| Conductor cross-section flexible (ferrule without plastic sleeve) | 35 mm ² ... 95 mm ² |
| Flexible conductor cross section (ferrule with plastic sleeve) | 35 mm ² ... 95 mm ² |
| Cross-section with insertion bridge, rigid | 95 mm ² |
| Cross-section with insertion bridge, flexible | 70 mm ² |
| 2 conductors with same cross section, solid | 25 mm ² ... 35 mm ² |
| 2 conductors with same cross section, flexible | 25 mm ² ... 35 mm ² |
| 2 conductors with same cross section, flexible, with ferrule without plastic sleeve | 16 mm ² ... 35 mm ² |
| Nominal current | 232 A |
| Maximum load current | 232 A |
| Nominal voltage | 1000 V |
| Note | Note: Product releases, connection cross sections and notes on connecting aluminum cables can be found in the download area. |
| Nominal cross section | 95 mm ² |

UKH 95-FE - High-current terminal block



3247054

<https://www.phoenixcontact.com/pc/products/3247054>

Ex data

Rated data (ATEX/IECEX)

| | |
|-----------------------------------|--|
| Identification | ⊕ II 2 GD Ex eb IIC Gb |
| Operating temperature range | -60 °C ... 110 °C |
| Ex-certified accessories | 1201934 VDE-ISS 6 |
| | 1201659 E/AL-NS 32 |
| | 1201662 E/AL-NS 35 |
| List of bridges | Insertion bridge / EB 2-25/UKH / 0201362 |
| | Insertion bridge / EB 3-25/UKH / 0201375 |
| Bridge data | 177 A (95 mm ²) |
| Ex temperature increase | 40 K (238.1 A / 95 mm ²) |
| Rated voltage | 880 V |
| at bridging with insertion bridge | 690 V |
| Rated insulation voltage | 800 V |
| output | (Permanent) |

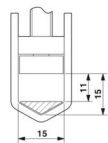
Ex level General

| | |
|----------------------|---------|
| Rated current | 216 A |
| Maximum load current | 216 A |
| Contact resistance | 0.06 mΩ |

Ex connection data General

| | |
|---|---|
| Torque range | 15 Nm ... 20 Nm |
| Nominal cross section | 95 mm ² |
| Rated cross section AWG | 3/0 |
| Connection capacity rigid | 25 mm ² ... 95 mm ² |
| Connection capacity AWG | 4 ... 3/0 |
| Connection capacity flexible | 35 mm ² ... 95 mm ² |
| Connection capacity AWG | 2 ... 3/0 |
| 2 conductors with same cross section, solid | 25 mm ² ... 35 mm ² |
| 2 conductors with the same cross-section AWG rigid | 4 ... 2 |
| 2 conductors with same cross section, stranded | 25 mm ² ... 35 mm ² |
| 2 conductors with the same cross-section AWG flexible | 4 ... 2 |

Dimensions

| | |
|---------------------|--|
| Dimensional drawing |  |
| Width | 25 mm |
| Height | 83 mm |
| Depth on NS 32 | 95 mm |

UKH 95-FE - High-current terminal block



3247054

<https://www.phoenixcontact.com/pc/products/3247054>

| | |
|-------------------|---------|
| Depth on NS 35/15 | 97.5 mm |
|-------------------|---------|

Material specifications

| | |
|--|-------------------|
| Color | multicolored |
| | black (RAL 9005) |
| | yellow (RAL 1018) |
| Flammability rating according to UL 94 | V0 |
| Insulating material group | I |
| Insulating material | PA |

Electrical tests

Surge voltage test

| | |
|--------|-------------|
| Result | Test passed |
|--------|-------------|

Temperature-rise test

| | |
|---|-------------------------------------|
| Requirement temperature-rise test | Increase in temperature ≤ 45 K |
| Result | Test passed |
| Short-time withstand current 95 mm ² | 11.4 kA |
| Result | Test passed |

Power-frequency withstand voltage

| | |
|-----------------------|-------------|
| Test voltage setpoint | 2.2 kV |
| Result | Test passed |

Mechanical properties

General

| | |
|-------------------------|---|
| Terminal block mounting | 15 Nm ... 20 Nm (PE foot with mounting screw, M8) |
|-------------------------|---|

Mechanical data

| | |
|-----------------|----|
| Open side panel | No |
|-----------------|----|

Mechanical tests

Mechanical strength

| | |
|--------|-------------|
| Result | Test passed |
|--------|-------------|

Attachment on the carrier

| | |
|-------------------------|-------------|
| DIN rail/fixing support | NS 32/NS 35 |
| Result | Test passed |

Test for conductor damage and slackening

| | |
|--------------------------------|-----------------------------|
| Rotation speed | 10 (+/- 2) rpm |
| Revolutions | 135 |
| Conductor cross section/weight | 25 mm ² / 4.5 kg |
| | 35 mm ² / 6.8 kg |
| | 95 mm ² / 14 kg |

| | |
|--------|-------------|
| Result | Test passed |
|--------|-------------|

Environmental and real-life conditions

Needle-flame test

| | |
|------------------|-------------|
| Time of exposure | 30 s |
| Result | Test passed |

Oscillation/broadband noise

| | |
|------------------------|--|
| Specification | DIN EN 50155 (VDE 0115-200):2022-06 |
| Spectrum | Long life test category 2, bogie-mounted |
| Frequency | $f_1 = 5 \text{ Hz}$ to $f_2 = 250 \text{ Hz}$ |
| ASD level | $6.12 \text{ (m/s}^2\text{)}^2\text{/Hz}$ |
| Acceleration | 3.12g |
| Test duration per axis | 5 h |
| Test directions | X-, Y- and Z-axis |
| Result | Test passed |

Shocks

| | |
|--------------------------------|-------------------------------------|
| Specification | DIN EN 50155 (VDE 0115-200):2022-06 |
| Pulse shape | Half-sine |
| Acceleration | 5g |
| Shock duration | 30 ms |
| Number of shocks per direction | 3 |
| Test directions | X-, Y- and Z-axis (pos. and neg.) |
| Result | Test passed |

Ambient conditions

| | |
|--|--|
| Ambient temperature (operation) | -60 °C ... 110 °C (Operating temperature range incl. self-heating; for max. short-term operating temperature, see RTI Elec.) |
| Ambient temperature (storage/transport) | -25 °C ... 60 °C (for a short time, not exceeding 24 h, -60 °C to +70 °C) |
| Ambient temperature (assembly) | -5 °C ... 70 °C |
| Ambient temperature (actuation) | -5 °C ... 70 °C |
| Permissible humidity (operation) | 20 % ... 90 % |
| Permissible humidity (storage/transport) | 30 % ... 70 % |

Standards and regulations

| | |
|----------------------------------|---------------|
| Connection in acc. with standard | IEC 60947-7-1 |
|----------------------------------|---------------|

Mounting

| | |
|-------------------------|---|
| Mounting type | NS 35/15 |
| | NS 32 |
| Terminal block mounting | 15 Nm ... 20 Nm (PE foot with mounting screw, M8) |

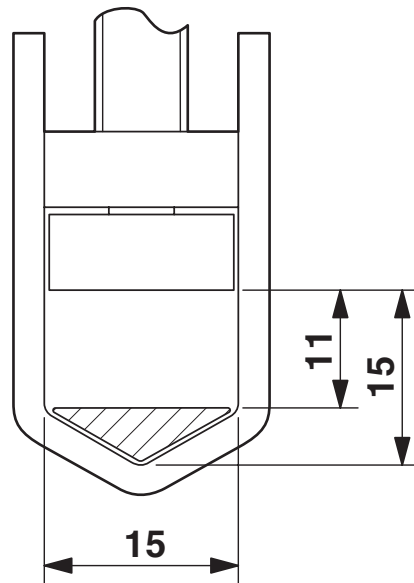
UKH 95-FE - High-current terminal block

3247054

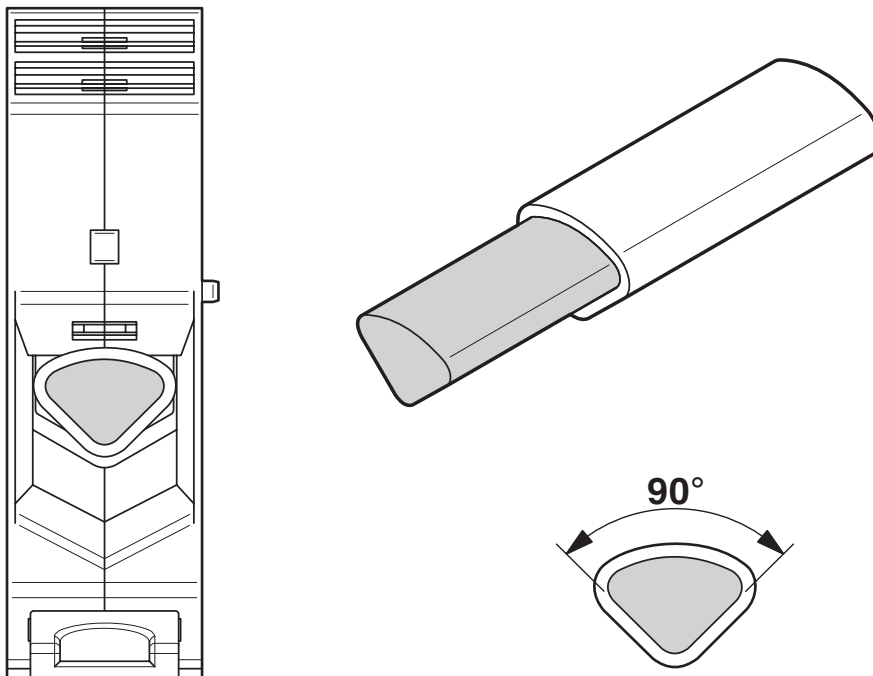
<https://www.phoenixcontact.com/pc/products/3247054>

Drawings

Dimensional drawing



Schematic diagram



Connecting aluminum cables. Further notes can be found in the download area

UKH 95-FE - High-current terminal block

3247054

<https://www.phoenixcontact.com/pc/products/3247054>



Circuit diagram



UKH 95-FE - High-current terminal block



3247054

<https://www.phoenixcontact.com/pc/products/3247054>

Approvals

To download certificates, visit the product detail page: <https://www.phoenixcontact.com/pc/products/3247054>

DNV

Approval ID: TAE00001CT



CSA

Approval ID: 13631

| | Nominal voltage U_N | Nominal current I_N | Cross section AWG | Cross section mm^2 |
|-------------|-----------------------|-----------------------|-------------------|-----------------------------|
| Use group B | | | | |
| | 600 V | 200 A | 2 - 4/0 | - |
| Use group C | | | | |
| | 600 V | 200 A | 2 - 4/0 | - |



cULus Recognized

Approval ID: E60425

| | Nominal voltage U_N | Nominal current I_N | Cross section AWG | Cross section mm^2 |
|----------------------------|-----------------------|-----------------------|-------------------|-----------------------------|
| Use group B | | | | |
| | 600 V | 230 A | 2 - 4/0 | - |
| Multi-conductor connection | 600 V | 230 A | 4 - 2 | - |
| Use group C | | | | |
| | 600 V | 230 A | 2 - 4/0 | - |
| Multi-conductor connection | 600 V | 230 A | 4 - 2 | - |



LR

Approval ID: LR2041789TA-02



ATEX

Approval ID: KEMA98ATEX1786U



EAC Ex

Approval ID: KZ 7500525010101950



IECEX

Approval ID: IECEX KEM 06.0029U



CCC

UKH 95-FE - High-current terminal block



3247054

<https://www.phoenixcontact.com/pc/products/3247054>

Approval ID: 2020322313000623



UKCA-EX

Approval ID: DEKRA 21UKEX0307U

UL Comp Hazloc CA US

Approval ID: UL US CA L 192998

| | Nominal voltage U_N | Nominal current I_N | Cross section AWG | Cross section mm^2 |
|--|-----------------------|-----------------------|-------------------|-----------------------------|
| | 600 V | 230 A | 2 - 4/0 | - |

cULus Recognized

UKH 95-FE - High-current terminal block



3247054

<https://www.phoenixcontact.com/pc/products/3247054>

Classifications

ECLASS

| | |
|-------------|----------|
| ECLASS-11.0 | 27141120 |
| ECLASS-13.0 | 27250101 |

ETIM

| | |
|----------|----------|
| ETIM 9.0 | EC000897 |
|----------|----------|

UNSPSC

| | |
|-------------|----------|
| UNSPSC 21.0 | 39121400 |
|-------------|----------|

UKH 95-FE - High-current terminal block



3247054

<https://www.phoenixcontact.com/pc/products/3247054>

Environmental product compliance

EU RoHS

| | |
|---|--------------------|
| Fulfills EU RoHS substance requirements | Yes, No exemptions |
|---|--------------------|

China RoHS

| | |
|--|--|
| Environment friendly use period (EFUP) | EFUP-E |
| | No hazardous substances above the limits |

EU REACH SVHC

| | |
|-------------------------------------|----------------------------|
| REACH candidate substance (CAS No.) | No substance above 0.1 wt% |
|-------------------------------------|----------------------------|

Phoenix Contact 2025 © - all rights reserved
<https://www.phoenixcontact.com>

PHOENIX CONTACT GmbH & Co. KG
Flachmarktstraße 8
D-32825 Blomberg
+49 (0) 5235-3 00
info@phoenixcontact.com