

UKH 95-F - High-current terminal block



3247022

<https://www.phoenixcontact.com/sg/products/3247022>

Please be informed that the data shown in this PDF document is generated from our online catalog. Please find the complete data in the user documentation. Our general terms of use for downloads are valid.



High-current terminal block, nom. voltage: 1000 V, nominal current: 232 A, number of connections: 2, connection method: Screw connection, Rated cross section: 95 mm², cross section: 25 mm² - 95 mm², mounting type: direct screw connection, color: gray

Your advantages

- Reliable cable connection is ensured by three-point centering of the conductor in the prismatic sleeve base
- Screw locking by means of spring-loaded elements in the clamping part
- Low contact resistance of the contact surface due to ribbing

Commercial data

Item number	3247022
Packing unit	10 pc
Minimum order quantity	10 pc
Note	Made to order (non-returnable)
Sales key	*****
Product key	BE1311
Catalog page	Page 195 (C-1-2019)
GTIN	4046356607254
Weight per piece (including packing)	237.3 g
Weight per piece (excluding packing)	230.09 g
Customs tariff number	85369010
Country of origin	IN

Technical data

Product properties

Product type	High current terminal block
Number of connections	2
Number of rows	1
Potentials	1

Insulation characteristics

Overvoltage category	III
Degree of pollution	3

Electrical properties

Rated surge voltage	8 kV
Maximum power dissipation for nominal condition	7.54 W

Connection data

Number of connections per level	2
Nominal cross section	95 mm ²

Level 1 above 1 below 1

Screw thread	M8
Note	Screws with hexagonal socket
Tightening torque	15 ... 20 Nm
Stripping length	33 mm
Connection in acc. with standard	IEC 60947-7-1
Conductor cross section rigid	25 mm ² ... 95 mm ²
Cross section AWG	2 ... 3/0 (converted acc. to IEC)
Conductor cross section flexible	35 mm ² ... 95 mm ²
Conductor cross section, flexible [AWG]	1/0 ... 3/0 (converted acc. to IEC)
Conductor cross-section flexible (ferrule without plastic sleeve)	35 mm ² ... 95 mm ²
Flexible conductor cross section (ferrule with plastic sleeve)	35 mm ² ... 95 mm ²
Cross-section with insertion bridge, rigid	95 mm ²
Cross-section with insertion bridge, flexible	70 mm ²
2 conductors with same cross section, solid	25 mm ² ... 35 mm ²
2 conductors with same cross section, flexible	25 mm ² ... 35 mm ²
2 conductors with same cross section, flexible, with ferrule without plastic sleeve	16 mm ² ... 35 mm ²
Nominal current	232 A
Maximum load current	232 A
Nominal voltage	1000 V
Note	Note: Product releases, connection cross sections and notes on connecting aluminum cables can be found in the download area.
Nominal cross section	95 mm ²

UKH 95-F - High-current terminal block



3247022

<https://www.phoenixcontact.com/sg/products/3247022>

Ex data

Rated data (ATEX/IECEX)

Identification	⊕ II 2 GD Ex eb IIC Gb
Operating temperature range	-60 °C ... 110 °C
Ex-certified accessories	1201934 VDE-ISS 6
List of bridges	Insertion bridge / EB 2-25/UKH / 0201362 Insertion bridge / EB 3-25/UKH / 0201375
Bridge data	177 A (95 mm ²)
Ex temperature increase	40 K (238.1 A / 95 mm ²)
Rated voltage	880 V
at bridging with insertion bridge	690 V
Rated insulation voltage	800 V
output	(Permanent)

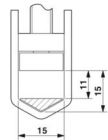
Ex level General

Rated current	216 A
Maximum load current	216 A
Contact resistance	0.06 mΩ

Ex connection data General

Torque range	15 Nm ... 20 Nm
Nominal cross section	95 mm ²
Rated cross section AWG	3/0
Connection capacity rigid	25 mm ² ... 95 mm ²
Connection capacity AWG	4 ... 3/0
Connection capacity flexible	35 mm ² ... 95 mm ²
Connection capacity AWG	2 ... 3/0
2 conductors with same cross section, solid	25 mm ² ... 35 mm ²
2 conductors with the same cross-section AWG rigid	4 ... 2
2 conductors with same cross section, stranded	25 mm ² ... 35 mm ²
2 conductors with the same cross-section AWG flexible	4 ... 2

Dimensions

Dimensional drawing	
Width	25 mm
Height	118.8 mm
Depth	90 mm
Drill hole spacing	106.1 mm
Hole diameter	6.5 mm

UKH 95-F - High-current terminal block



3247022

<https://www.phoenixcontact.com/sg/products/3247022>

Material specifications

Color	gray (RAL 7042)
Flammability rating according to UL 94	V0
Insulating material group	I
Insulating material	PA

Electrical tests

Surge voltage test

Result	Test passed
--------	-------------

Temperature-rise test

Requirement temperature-rise test	Increase in temperature ≤ 45 K
Result	Test passed
Short-time withstand current 95 mm ²	11.4 kA
Result	Test passed

Power-frequency withstand voltage

Test voltage setpoint	2.2 kV
Result	Test passed

Mechanical properties

Mechanical data

Open side panel	No
-----------------	----

Technical data

Drill hole spacing	106.1 mm
--------------------	----------

Mechanical tests

Mechanical strength

Result	Test passed
--------	-------------

Attachment on the carrier

DIN rail/fixing support	NS 32/NS 35
Result	Test passed

Test for conductor damage and slackening

Rotation speed	10 (+/- 2) rpm
Revolutions	135
Conductor cross section/weight	25 mm ² / 4.5 kg
	35 mm ² / 6.8 kg
	95 mm ² /14 kg
Result	Test passed

Environmental and real-life conditions

3247022

<https://www.phoenixcontact.com/sg/products/3247022>

Needle-flame test

Time of exposure	30 s
Result	Test passed

Oscillation/broadband noise

Specification	DIN EN 50155 (VDE 0115-200):2022-06
Spectrum	Long life test category 2, bogie-mounted
Frequency	$f_1 = 5 \text{ Hz}$ to $f_2 = 250 \text{ Hz}$
ASD level	$6.12 \text{ (m/s}^2\text{)}^2\text{/Hz}$
Acceleration	3.12g
Test duration per axis	5 h
Test directions	X-, Y- and Z-axis
Result	Test passed

Shocks

Specification	DIN EN 50155 (VDE 0115-200):2022-06
Pulse shape	Half-sine
Acceleration	5g
Shock duration	30 ms
Number of shocks per direction	3
Test directions	X-, Y- and Z-axis (pos. and neg.)
Result	Test passed

Ambient conditions

Ambient temperature (operation)	-60 °C ... 110 °C (Operating temperature range incl. self-heating; for max. short-term operating temperature, see RTI Elec.)
Ambient temperature (storage/transport)	-25 °C ... 60 °C (for a short time, not exceeding 24 h, -60 °C to +70 °C)
Ambient temperature (assembly)	-5 °C ... 70 °C
Ambient temperature (actuation)	-5 °C ... 70 °C
Permissible humidity (operation)	20 % ... 90 %
Permissible humidity (storage/transport)	30 % ... 70 %

Standards and regulations

Connection in acc. with standard	IEC 60947-7-1
----------------------------------	---------------

Mounting

Mounting type	direct screw connection
---------------	-------------------------

UKH 95-F - High-current terminal block

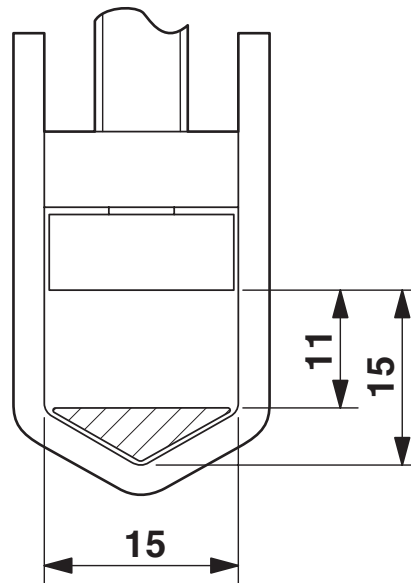
3247022

<https://www.phoenixcontact.com/sg/products/3247022>

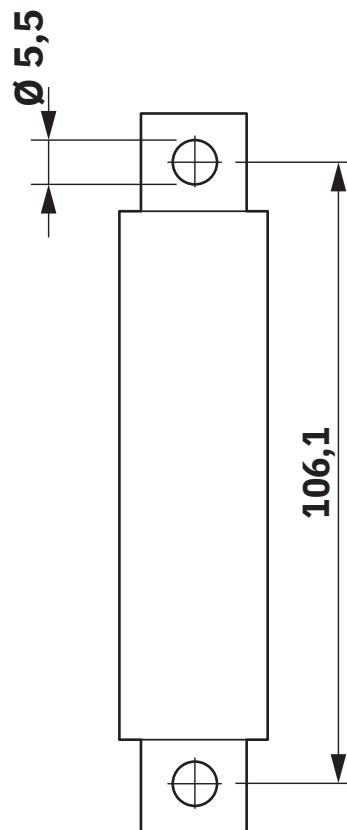


Drawings

Dimensional drawing



Dimensional drawing

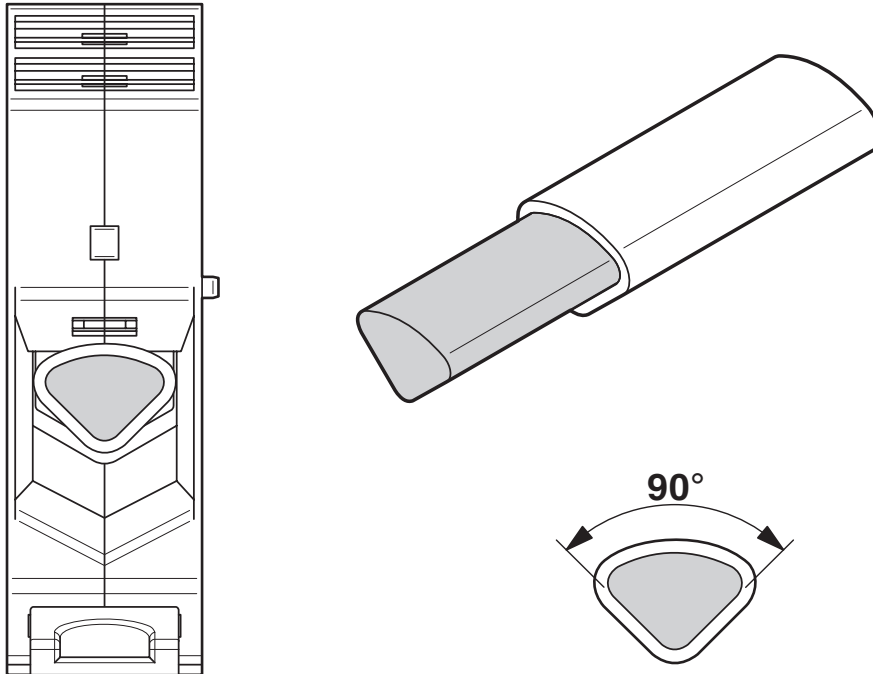


UKH 95-F - High-current terminal block

3247022

<https://www.phoenixcontact.com/sg/products/3247022>

Schematic diagram



Connecting aluminum cables. Further notes can be found in the download area

Circuit diagram



UKH 95-F - High-current terminal block





3247022

<https://www.phoenixcontact.com/sg/products/3247022>

Approvals

To download certificates, visit the product detail page: <https://www.phoenixcontact.com/sg/products/3247022>

 cULus Recognized Approval ID: E60425				
	Nominal voltage U_N	Nominal current I_N	Cross section AWG	Cross section mm^2
Use group B				
	600 V	230 A	2 - 4/0	-
Multi-conductor connection	600 V	230 A	4 - 2	-
Use group C				
	600 V	230 A	2 - 4/0	-
Multi-conductor connection	600 V	230 A	4 - 2	-

 ATEX Approval ID: KEMA98ATEX1786U	
---	--

 IECEX Approval ID: IECEX KEM 06.0029U	
---	--

 UKCA-EX Approval ID: DEKRA 21UKEX0307U	
--	--

UKH 95-F - High-current terminal block



3247022

<https://www.phoenixcontact.com/sg/products/3247022>

Classifications

ECLASS

ECLASS-11.0	27141120
ECLASS-13.0	27250101

ETIM

ETIM 9.0	EC000897
----------	----------

UNSPSC

UNSPSC 21.0	39121400
-------------	----------

UKH 95-F - High-current terminal block



3247022

<https://www.phoenixcontact.com/sg/products/3247022>

Environmental product compliance

EU RoHS

Fulfills EU RoHS substance requirements	Yes, No exemptions
---	--------------------

China RoHS

Environment friendly use period (EFUP)	EFUP-E
	No hazardous substances above the limits

EU REACH SVHC

REACH candidate substance (CAS No.)	No substance above 0.1 wt%
-------------------------------------	----------------------------

Phoenix Contact 2025 © - all rights reserved
<https://www.phoenixcontact.com>

PHOENIX CONTACT SEA Pte. Ltd.
105 Eunos Avenue 3, #04-00
Singapore 409836
+65 6228 4900
marketing@phoenixcontact.com.sg