

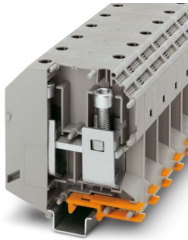
# UKH 150 1500V - High-current terminal block



3247433

<https://www.phoenixcontact.com/pc/products/3247433>

Please be informed that the data shown in this PDF document is generated from our online catalog. Please find the complete data in the user documentation. Our general terms of use for downloads are valid.



High-current terminal block, nom. voltage: 1500 V, nominal current: 309 A, number of connections: 2, connection method: Screw connection, Rated cross section: 150 mm<sup>2</sup>, cross section: 35 mm<sup>2</sup> - 150 mm<sup>2</sup>, mounting type: NS 35/15, NS 32, color: gray

## Your advantages

- Reliable cable connection is ensured by three-point centering of the conductor in the prismatic sleeve base
- Screw locking by means of spring-loaded elements in the clamping part
- Low contact resistance of the contact surface due to ribbing

## Commercial data

Item number	3247433
Packing unit	3 pc
Minimum order quantity	3 pc
Product key	BE1311
Catalog page	Page 197 (C-1-2019)
GTIN	4055626132976
Weight per piece (including packing)	377.4 g
Weight per piece (excluding packing)	377.4 g
Customs tariff number	85359000
Country of origin	IN

## Technical data

### Notes

#### General

Note	For a reliable contact of multi stranded conductors it is recommended to untwist multi stranded conductors.
------	---

### Product properties

Product type	High current terminal block
Number of connections	2
Number of rows	1
Potentials	1

#### Insulation characteristics

Overvoltage category	III
Degree of pollution	3

### Electrical properties

Rated surge voltage	8 kV
Maximum power dissipation for nominal condition	9.55 W

### Connection data

Number of connections per level	2
Nominal cross section	150 mm <sup>2</sup>

#### Level 1 above 1 below 1

Screw thread	M10
Note	Screws with hexagonal socket
Tightening torque	25 ... 30 Nm
Stripping length	40 mm
Internal cylindrical gage	B14
Connection in acc. with standard	IEC 60947-7-1
Conductor cross section rigid	35 mm <sup>2</sup> ... 150 mm <sup>2</sup>
Cross section AWG	1/0 ... 250 kcmil (converted acc. to IEC)
Conductor cross section flexible	50 mm <sup>2</sup> ... 150 mm <sup>2</sup>
Conductor cross section, flexible [AWG]	1/0 ... 250 kcmil (converted acc. to IEC)
Conductor cross-section flexible (ferrule without plastic sleeve)	50 mm <sup>2</sup> ... 150 mm <sup>2</sup>
Flexible conductor cross section (ferrule with plastic sleeve)	50 mm <sup>2</sup> ... 150 mm <sup>2</sup>
Cross-section with insertion bridge, rigid	150 mm <sup>2</sup>
Cross-section with insertion bridge, flexible	120 mm <sup>2</sup>
2 conductors with same cross section, solid	25 mm <sup>2</sup> ... 50 mm <sup>2</sup>
2 conductors with same cross section, flexible	35 mm <sup>2</sup> ... 50 mm <sup>2</sup>
2 conductors with same cross section, flexible, with ferrule without plastic sleeve	25 mm <sup>2</sup> ... 50 mm <sup>2</sup>

# UKH 150 1500V - High-current terminal block

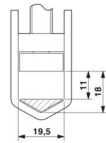


3247433

<https://www.phoenixcontact.com/pc/products/3247433>

Nominal current	309 A
Maximum load current	309 A (with 150 mm <sup>2</sup> conductor cross section)
Nominal voltage	1500 V DC
	1000 V AC
Note	Note: Product releases, connection cross sections and notes on connecting aluminum cables can be found in the download area.
Nominal cross section	150 mm <sup>2</sup>

## Dimensions

Dimensional drawing	
Width	31 mm
Height	100 mm
Depth	107.3 mm
Depth on NS 32	116 mm
Depth on NS 35/15	118.5 mm

## Material specifications

Color	gray (RAL 7042)
Flammability rating according to UL 94	V0
Insulating material group	I
Insulating material	PA
Static insulating material application in cold	-60 °C
Temperature index of insulation material (DIN EN 60216-1 (VDE 0304-21))	130 °C
Relative insulation material temperature index (Elec., UL 746 B)	130 °C
Fire protection for rail vehicles (DIN EN 45545-2) R22	HL 1 - HL 3
Fire protection for rail vehicles (DIN EN 45545-2) R23	HL 1 - HL 3
Fire protection for rail vehicles (DIN EN 45545-2) R24	HL 1 - HL 3
Fire protection for rail vehicles (DIN EN 45545-2) R26	HL 1 - HL 3
Calorimetric heat release NFPA 130 (ASTM E 1354)	28 MJ/kg
Surface flammability NFPA 130 (ASTM E 162)	passed
Specific optical density of smoke NFPA 130 (ASTM E 662)	passed
Smoke gas toxicity NFPA 130 (SMP 800C)	passed

## Electrical tests

### Surge voltage test

Result	Test passed
Short-time withstand current 150 mm <sup>2</sup>	18 kA
Result	Test passed

### Power-frequency withstand voltage

# UKH 150 1500V - High-current terminal block



3247433

<https://www.phoenixcontact.com/pc/products/3247433>

Test voltage setpoint	3.82 kV
Result	Test passed

## Mechanical properties

### Mechanical data

Open side panel	No
-----------------	----

## Mechanical tests

### Mechanical strength

Result	Test passed
--------	-------------

### Attachment on the carrier

DIN rail/fixing support	NS 32/NS 35
Result	Test passed

### Test for conductor damage and slackening

Rotation speed	10 rpm
Revolutions	135
Conductor cross section/weight	35 mm <sup>2</sup> / 6.8 kg
	50 mm <sup>2</sup> / 9.5 kg
	150 mm <sup>2</sup> / 15 kg
Result	Test passed

## Environmental and real-life conditions

### Needle-flame test

Time of exposure	30 s
Result	Test passed

### Ambient conditions

Ambient temperature (operation)	-60 °C ... 110 °C (Operating temperature range incl. self-heating; for max. short-term operating temperature, see RTI Elec.)
Ambient temperature (storage/transport)	-25 °C ... 60 °C (for a short time, not exceeding 24 h, -60 °C to +70 °C)
Ambient temperature (assembly)	-5 °C ... 70 °C
Ambient temperature (actuation)	-5 °C ... 70 °C
Permissible humidity (operation)	20 % ... 90 %
Permissible humidity (storage/transport)	30 % ... 70 %

## Standards and regulations

Connection in acc. with standard	IEC 60947-7-1
----------------------------------	---------------

## Mounting

Mounting type	NS 35/15
	NS 32

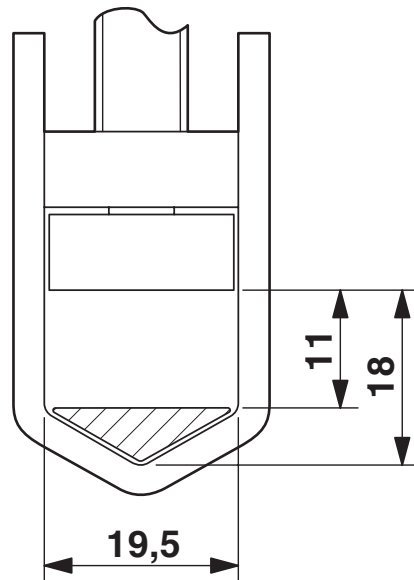
# UKH 150 1500V - High-current terminal block

3247433

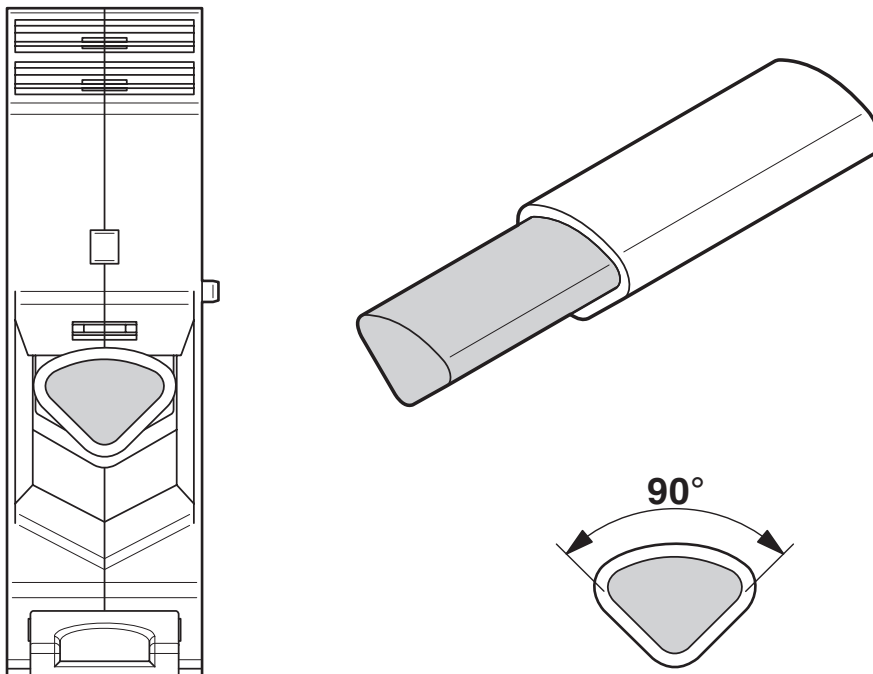
<https://www.phoenixcontact.com/pc/products/3247433>

## Drawings

Dimensional drawing



Schematic diagram



Connecting aluminum cables. Further notes can be found in the download area

# UKH 150 1500V - High-current terminal block

3247433

<https://www.phoenixcontact.com/pc/products/3247433>



Circuit diagram



# UKH 150 1500V - High-current terminal block



3247433

<https://www.phoenixcontact.com/pc/products/3247433>

## Approvals

To download certificates, visit the product detail page: <https://www.phoenixcontact.com/pc/products/3247433>



**EAC**

Approval ID: EACKZ 08593

# UKH 150 1500V - High-current terminal block



3247433

<https://www.phoenixcontact.com/pc/products/3247433>

## Classifications

### ECLASS

ECLASS-11.0	27141120
ECLASS-13.0	27250101

### ETIM

ETIM 9.0	EC000897
----------	----------

### UNSPSC

UNSPSC 21.0	39121400
-------------	----------



# UKH 150 1500V - High-current terminal block



3247433

<https://www.phoenixcontact.com/pc/products/3247433>

## Environmental product compliance

### EU RoHS

Fulfills EU RoHS substance requirements	Yes, No exemptions
---	--------------------

### China RoHS

Environment friendly use period (EFUP)	EFUP-E
	No hazardous substances above the limits

### EU REACH SVHC

REACH candidate substance (CAS No.)	No substance above 0.1 wt%
-------------------------------------	----------------------------

Phoenix Contact 2025 © - all rights reserved  
<https://www.phoenixcontact.com>

PHOENIX CONTACT GmbH & Co. KG  
Flachmarktstraße 8  
D-32825 Blomberg  
+49 (0) 5235-3 00  
[info@phoenixcontact.com](mailto:info@phoenixcontact.com)