

TB 95 I - Feed-through terminal block

3251200

<https://www.phoenixcontact.com/sg/products/3251200>

Please be informed that the data shown in this PDF document is generated from our online catalog. Please find the complete data in the user documentation. Our general terms of use for downloads are valid.



Feed-through terminal block, nom. voltage: 1000 V, nominal current: 232 A, number of connections: 2, number of positions: 1, connection method: Screw connection, Rated cross section: 95 mm², cross section: 25 mm² - 95 mm², mounting type: NS 35/15, NS 32, color: dark gray

Your advantages

- Reliable cable connection is ensured by three-point centering of the conductor in the prismatic sleeve base
- Screw locking by means of spring-loaded elements in the clamping part
- Low contact resistance of the contact surface due to ribbing

Commercial data

Item number	3251200
Packing unit	3 pc
Minimum order quantity	3 pc
Sales key	*****
Product key	BEK311
GTIN	4046356950466
Weight per piece (including packing)	229 g
Weight per piece (excluding packing)	213.26 g
Customs tariff number	85369010
Country of origin	IN

TB 95 I - Feed-through terminal block



3251200

<https://www.phoenixcontact.com/sg/products/3251200>

Technical data

Product properties

Product type	High current terminal block
Number of positions	1
Number of connections	2
Number of rows	1
Potentials	1

Insulation characteristics

Overvoltage category	III
Degree of pollution	3

Electrical properties

Rated surge voltage	8 kV
Maximum power dissipation for nominal condition	7.54 W

Connection data

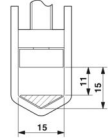
Number of connections per level	2
Nominal cross section	95 mm ²
Rated cross section AWG	4/0
Screw thread	M8
Note	Screws with hexagonal socket
Tightening torque	15 ... 20 Nm
Stripping length	33 mm
Connection in acc. with standard	IEC 60947-7-1
Conductor cross section rigid	25 mm ² ... 95 mm ²
Cross section AWG	2 ... 3/0 (converted acc. to IEC)
Conductor cross section flexible	35 mm ² ... 95 mm ²
Conductor cross section, flexible [AWG]	1/0 ... 3/0 (converted acc. to IEC)
Conductor cross-section flexible (ferrule without plastic sleeve)	35 mm ² ... 95 mm ²
Flexible conductor cross section (ferrule with plastic sleeve)	35 mm ² ... 95 mm ²
Cross-section with insertion bridge, rigid	95 mm ²
Cross-section with insertion bridge, flexible	70 mm ²
2 conductors with same cross section, solid	25 mm ² ... 35 mm ²
2 conductors with the same cross-section AWG rigid	3 ... 2 (converted acc. to IEC)
2 conductors with same cross section, flexible	25 mm ² ... 35 mm ²
2 conductors with the same cross-section AWG flexible	3 ... 2 (converted acc. to IEC)
2 conductors with same cross section, flexible, with ferrule without plastic sleeve	16 mm ² ... 35 mm ²
Nominal current	232 A
Maximum load current	232 A
Nominal voltage	1000 V
Nominal cross section	95 mm ²

TB 95 I - Feed-through terminal block

3251200

<https://www.phoenixcontact.com/sg/products/3251200>

Dimensions

Dimensional drawing	
Width	25 mm
Height	82.8 mm
Depth	90 mm
Depth on NS 32	95.5 mm
Depth on NS 35/15	97.6 mm

Material specifications

Color	traffic grey B (RAL 7043)
Flammability rating according to UL 94	V0
Insulating material group	I
Insulating material	PA
Static insulating material application in cold	-60 °C
Relative insulation material temperature index (Elec., UL 746 B)	130 °C
Fire protection for rail vehicles (DIN EN 45545-2) R22	HL 1 - HL 3
Fire protection for rail vehicles (DIN EN 45545-2) R23	HL 1 - HL 3
Fire protection for rail vehicles (DIN EN 45545-2) R24	HL 1 - HL 3
Fire protection for rail vehicles (DIN EN 45545-2) R26	HL 1 - HL 3
Surface flammability NFPA 130 (ASTM E 162)	passed
Specific optical density of smoke NFPA 130 (ASTM E 662)	passed
Smoke gas toxicity NFPA 130 (SMP 800C)	passed

Electrical tests

Surge voltage test

Test voltage setpoint	9.8 kV
Result	Test passed

Temperature-rise test

Requirement temperature-rise test	Increase in temperature ≤ 45 K
Result	Test passed
Short-time withstand current 95 mm ²	11.4 kA
Result	Test passed

Power-frequency withstand voltage

Test voltage setpoint	2.2 kV
Result	Test passed

Mechanical properties

TB 95 I - Feed-through terminal block



3251200

<https://www.phoenixcontact.com/sg/products/3251200>

Mechanical data

Open side panel	No
-----------------	----

Mechanical tests

Mechanical strength

Result	Test passed
--------	-------------

Attachment on the carrier

DIN rail/fixing support	NS 32/NS 35
Test force setpoint	15 N
Result	Test passed

Test for conductor damage and slackening

Rotation speed	10 rpm
Revolutions	135
Conductor cross section/weight	25 mm ² / 4.5 kg
	35 mm ² / 6.8 kg
	95 mm ² /14 kg
Result	Test passed

Environmental and real-life conditions

Needle-flame test

Time of exposure	10 s
Result	Test passed

Ambient conditions

Ambient temperature (operation)	-60 °C ... 110 °C (Operating temperature range incl. self-heating; for max. short-term operating temperature, see RTI Elec.)
Ambient temperature (storage/transport)	-25 °C ... 60 °C (for a short time, not exceeding 24 h, -60 °C to +70 °C)
Ambient temperature (assembly)	-5 °C ... 70 °C
Ambient temperature (actuation)	-5 °C ... 70 °C
Permissible humidity (operation)	20 % ... 90 %
Permissible humidity (storage/transport)	30 % ... 70 %

Standards and regulations

Connection in acc. with standard	IEC 60947-7-1
----------------------------------	---------------

Mounting

Mounting type	NS 35/15
	NS 32

TB 95 I - Feed-through terminal block

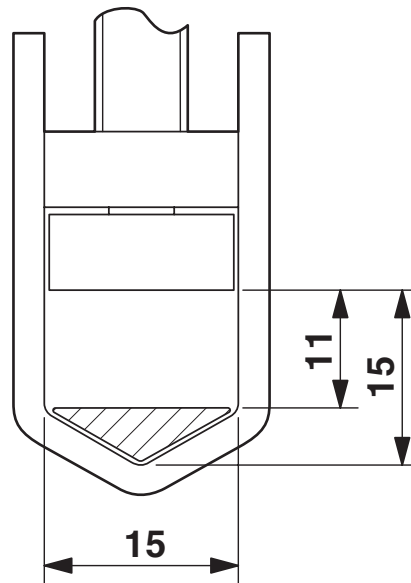
3251200

<https://www.phoenixcontact.com/sg/products/3251200>



Drawings

Dimensional drawing



Circuit diagram



TB 95 I - Feed-through terminal block



3251200

<https://www.phoenixcontact.com/sg/products/3251200>

Approvals

To download certificates, visit the product detail page: <https://www.phoenixcontact.com/sg/products/3251200>

 **EAC**
Approval ID: EACKZ 08593

 **cULus Recognized**
Approval ID: E60425

	Nominal voltage U_N	Nominal current I_N	Cross section AWG	Cross section mm^2
Use group B				
	600 V	230 A	2 - 4/0	-
Multi-conductor connection	600 V	230 A	4 - 2	-
Use group C				
	600 V	230 A	2 - 4/0	-
Multi-conductor connection	600 V	230 A	4 - 2	-

TB 95 I - Feed-through terminal block



3251200

<https://www.phoenixcontact.com/sg/products/3251200>

Classifications

ECLASS

ECLASS-11.0	27141120
ECLASS-13.0	27250101

ETIM

ETIM 9.0	EC000897
----------	----------

UNSPSC

UNSPSC 21.0	39121400
-------------	----------

TB 95 I - Feed-through terminal block



3251200

<https://www.phoenixcontact.com/sg/products/3251200>

Environmental product compliance

EU RoHS

Fulfills EU RoHS substance requirements	Yes, No exemptions
---	--------------------

China RoHS

Environment friendly use period (EFUP)	EFUP-E
	No hazardous substances above the limits

EU REACH SVHC

REACH candidate substance (CAS No.)	No substance above 0.1 wt%
-------------------------------------	----------------------------

Phoenix Contact 2025 © - all rights reserved
<https://www.phoenixcontact.com>

PHOENIX CONTACT SEA Pte. Ltd.
105 Eunos Avenue 3, #04-00
Singapore 409836
+65 6228 4900
marketing@phoenixcontact.com.sg