

UKH 150-F - High-current terminal block



3247035

<https://www.phoenixcontact.com/sg/products/3247035>

Please be informed that the data shown in this PDF document is generated from our online catalog. Please find the complete data in the user documentation. Our general terms of use for downloads are valid.



High-current terminal block, nom. voltage: 1000 V, nominal current: 309 A, number of connections: 2, connection method: Screw connection, Rated cross section: 150 mm², cross section: 35 mm² - 150 mm², mounting type: direct screw connection, color: gray

Your advantages

- Reliable cable connection is ensured by three-point centering of the conductor in the prismatic sleeve base
- Low contact resistance of the contact surface due to ribbing
- Screw locking by means of spring-loaded elements in the clamping part

Commercial data

Item number	3247035
Packing unit	10 pc
Minimum order quantity	10 pc
Note	Made to order (non-returnable)
Sales key	*****
Product key	BE1311
Catalog page	Page 197 (C-1-2019)
GTIN	4046356607261
Weight per piece (including packing)	406.2 g
Weight per piece (excluding packing)	393 g
Customs tariff number	85369010
Country of origin	IN

UKH 150-F - High-current terminal block



3247035

<https://www.phoenixcontact.com/sg/products/3247035>

Technical data

Product properties

Product type	High current terminal block
Number of connections	2
Number of rows	1
Potentials	1

Insulation characteristics

Overvoltage category	III
Degree of pollution	3

Electrical properties

Rated surge voltage	8 kV
Maximum power dissipation for nominal condition	9.55 W

Connection data

Number of connections per level	2
Nominal cross section	150 mm ²
Screw thread	M10
Note	Screws with hexagonal socket
Tightening torque	25 ... 30 Nm
Stripping length	40 mm
Connection in acc. with standard	IEC 60947-7-1
Conductor cross section rigid	35 mm ² ... 150 mm ²
Cross section AWG	1/0 ... 250 kcmil (converted acc. to IEC)
Conductor cross section flexible	50 mm ² ... 150 mm ²
Conductor cross section, flexible [AWG]	1/0 ... 250 kcmil (converted acc. to IEC)
Conductor cross-section flexible (ferrule without plastic sleeve)	50 mm ² ... 150 mm ²
Flexible conductor cross section (ferrule with plastic sleeve)	50 mm ² ... 150 mm ²
Cross-section with insertion bridge, rigid	150 mm ²
Cross-section with insertion bridge, flexible	120 mm ²
2 conductors with same cross section, solid	25 mm ² ... 50 mm ²
2 conductors with same cross section, flexible	35 mm ² ... 50 mm ²
2 conductors with same cross section, flexible, with ferrule without plastic sleeve	25 mm ² ... 50 mm ²
Nominal current	309 A
Maximum load current	309 A (with 150 mm ² conductor cross section)
Nominal voltage	1000 V
Note	Note: Product releases, connection cross sections and notes on connecting aluminum cables can be found in the download area.
Nominal cross section	150 mm ²

Ex data

UKH 150-F - High-current terminal block



3247035

<https://www.phoenixcontact.com/sg/products/3247035>

Rated data (ATEX/IECEX)

Identification	⊕ II 2 GD Ex eb IIC Gb
Operating temperature range	-60 °C ... 110 °C
Ex-certified accessories	1201947 VDE-ISS 8
List of bridges	Insertion bridge / EB 2-31/UKH / 0201388 Insertion bridge / EB 3-31/UKH / 0201391
Bridge data	195.5 A (150 mm ²)
Ex temperature increase	40 K (281.5 A / 150 mm ²)
Rated voltage	1100 V
at bridging with insertion bridge	880 V
Rated insulation voltage	1000 V
output	(Permanent)

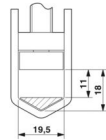
Ex level General

Rated current	256 A
Maximum load current	256 A
Contact resistance	0.06 mΩ

Ex connection data General

Torque range	25 Nm ... 30 Nm
Nominal cross section	150 mm ²
Rated cross section AWG	300 kcmil
Connection capacity rigid	35 mm ² ... 150 mm ²
Connection capacity AWG	2 ... 300 kcmil
Connection capacity flexible	50 mm ² ... 150 mm ²
Connection capacity AWG	1/0 ... 300 kcmil
2 conductors with same cross section, solid	25 mm ² ... 50 mm ²
2 conductors with the same cross-section AWG rigid	4 ... 1/0
2 conductors with same cross section, stranded	35 mm ² ... 50 mm ²
2 conductors with the same cross-section AWG flexible	2 ... 1/0

Dimensions

Dimensional drawing	
Width	31 mm
Height	136.1 mm
Depth	111 mm
Hole diameter	6.5 mm

Material specifications

Color	gray (RAL 7042)
-------	-----------------

UKH 150-F - High-current terminal block



3247035

<https://www.phoenixcontact.com/sg/products/3247035>

Flammability rating according to UL 94	V0
Insulating material group	I
Insulating material	PA
Static insulating material application in cold	-60 °C
Relative insulation material temperature index (Elec., UL 746 B)	130 °C
Fire protection for rail vehicles (DIN EN 45545-2) R22	HL 1 - HL 3
Fire protection for rail vehicles (DIN EN 45545-2) R23	HL 1 - HL 3
Fire protection for rail vehicles (DIN EN 45545-2) R24	HL 1 - HL 3
Fire protection for rail vehicles (DIN EN 45545-2) R26	HL 1 - HL 3
Surface flammability NFPA 130 (ASTM E 162)	passed
Specific optical density of smoke NFPA 130 (ASTM E 662)	passed
Smoke gas toxicity NFPA 130 (SMP 800C)	passed

Electrical tests

Surge voltage test

Result	Test passed
--------	-------------

Temperature-rise test

Requirement temperature-rise test	Increase in temperature ≤ 45 K
Result	Test passed
Short-time withstand current 150 mm ²	18 kA
Result	Test passed

Power-frequency withstand voltage

Test voltage setpoint	2.2 kV
Result	Test passed

Mechanical properties

Mechanical data

Open side panel	No
-----------------	----

Mechanical tests

Mechanical strength

Result	Test passed
--------	-------------

Attachment on the carrier

DIN rail/fixing support	NS 32/NS 35
Result	Test passed

Test for conductor damage and slackening

Rotation speed	10 (+/- 2) rpm
Revolutions	135
Conductor cross section/weight	35 mm ² / 6.8 kg
	50 mm ² / 9.5 kg
	150 mm ² / 15 kg

UKH 150-F - High-current terminal block



3247035

<https://www.phoenixcontact.com/sg/products/3247035>

Result	Test passed
--------	-------------

Environmental and real-life conditions

Needle-flame test

Time of exposure	30 s
Result	Test passed

Oscillation/broadband noise

Specification	DIN EN 50155 (VDE 0115-200):2018-05
Spectrum	Long life test category 2, bogie-mounted
Frequency	$f_1 = 5 \text{ Hz}$ to $f_2 = 250 \text{ Hz}$
ASD level	$6.12 \text{ (m/s}^2\text{)}^2\text{/Hz}$
Acceleration	3.12g
Test duration per axis	5 h
Test directions	X-, Y- and Z-axis
Result	Test passed

Shocks

Specification	DIN EN 50155 (VDE 0115-200):2018-05
Pulse shape	Half-sine
Acceleration	30g
Shock duration	18 ms
Number of shocks per direction	3
Test directions	X-, Y- and Z-axis (pos. and neg.)
Result	Test passed

Ambient conditions

Ambient temperature (operation)	-60 °C ... 110 °C (Operating temperature range incl. self-heating; for max. short-term operating temperature, see RTI Elec.)
Ambient temperature (storage/transport)	-25 °C ... 60 °C (for a short time, not exceeding 24 h, -60 °C to +70 °C)
Ambient temperature (assembly)	-5 °C ... 70 °C
Ambient temperature (actuation)	-5 °C ... 70 °C
Permissible humidity (operation)	20 % ... 90 %
Permissible humidity (storage/transport)	30 % ... 70 %

Standards and regulations

Connection in acc. with standard	IEC 60947-7-1
----------------------------------	---------------

Mounting

Mounting type	direct screw connection
---------------	-------------------------

UKH 150-F - High-current terminal block

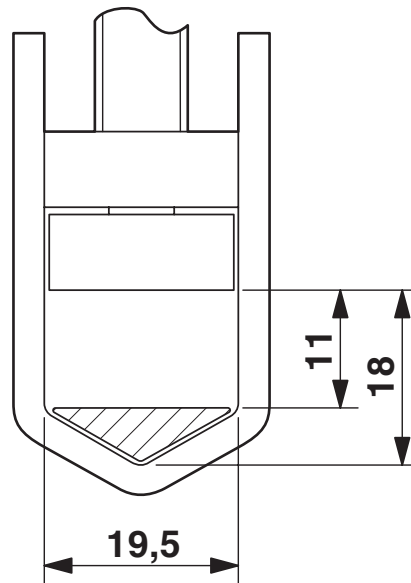
3247035

<https://www.phoenixcontact.com/sg/products/3247035>

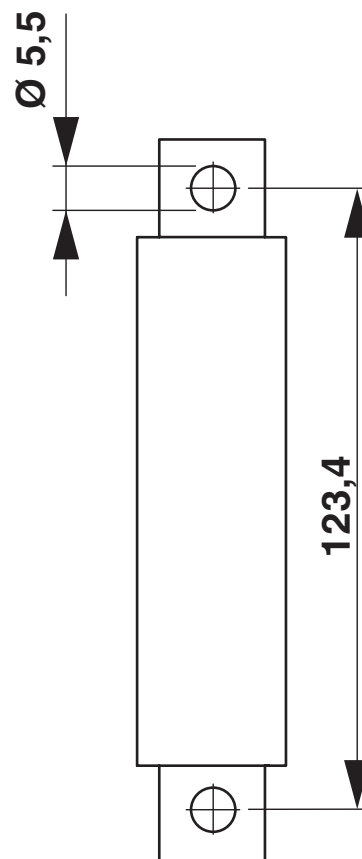


Drawings

Dimensional drawing



Dimensional drawing

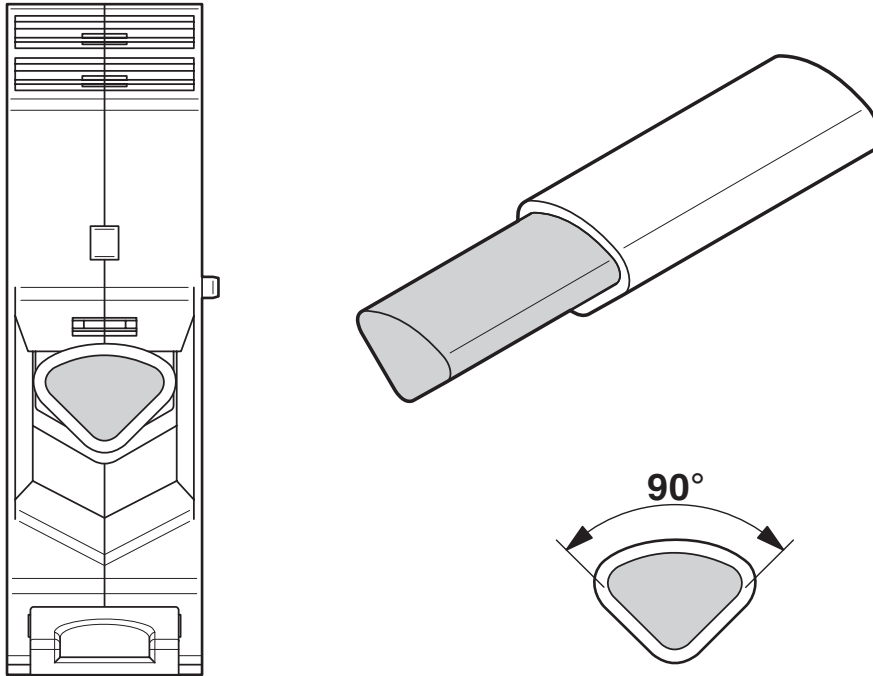


UKH 150-F - High-current terminal block

3247035

<https://www.phoenixcontact.com/sg/products/3247035>

Schematic diagram



Connecting aluminum cables. Further notes can be found in the download area

Circuit diagram



UKH 150-F - High-current terminal block





3247035

<https://www.phoenixcontact.com/sg/products/3247035>

Approvals

To download certificates, visit the product detail page: <https://www.phoenixcontact.com/sg/products/3247035>

 cULus Recognized Approval ID: E60425				
	Nominal voltage U_N	Nominal current I_N	Cross section AWG	Cross section mm^2
Use group B				
	600 V	285 A	2 - 300	-
Multi-conductor connection	600 V	285 A	4 - 1/0	-
Use group C				
	600 V	285 A	2 - 300	-
Multi-conductor connection	600 V	285 A	4 - 1/0	-

 ATEX Approval ID: KEMA99ATEX8332U	
---	--

 IECEx Approval ID: IECEx KEM 06.0030U	
---	--

UKH 150-F - High-current terminal block



3247035

<https://www.phoenixcontact.com/sg/products/3247035>

Classifications

ECLASS

ECLASS-11.0	27141120
ECLASS-13.0	27250101

ETIM

ETIM 9.0	EC000897
----------	----------

UNSPSC

UNSPSC 21.0	39121400
-------------	----------

UKH 150-F - High-current terminal block



3247035

<https://www.phoenixcontact.com/sg/products/3247035>

Environmental product compliance

EU RoHS

Fulfills EU RoHS substance requirements	Yes, No exemptions
---	--------------------

China RoHS

Environment friendly use period (EFUP)	EFUP-E
	No hazardous substances above the limits

EU REACH SVHC

REACH candidate substance (CAS No.)	No substance above 0.1 wt%
-------------------------------------	----------------------------

Phoenix Contact 2025 © - all rights reserved
<https://www.phoenixcontact.com>

PHOENIX CONTACT SEA Pte. Ltd.
105 Eunos Avenue 3, #04-00
Singapore 409836
+65 6228 4900
marketing@phoenixcontact.com.sg