

# PTPOWER 50-3L/N-F - High-current terminal block



3260058

<https://www.phoenixcontact.com/sg/products/3260058>

Please be informed that the data shown in this PDF document is generated from our online catalog. Please find the complete data in the user documentation. Our general terms of use for downloads are valid.



High-current terminal block, Blocked, nom. voltage: 1000 V, nominal current: 150 A, number of connections: 8, number of positions: 4, connection method: PowerTurn connection, 1 level, cross section: 10 mm<sup>2</sup> - 70 mm<sup>2</sup>, mounting type: direct screw connection, color: gray/blue

## Your advantages

- Quick and easy connection is now also possible for large conductors with the high-current terminal block
- In addition to using the existing test pick-off, pick-off terminal blocks can be connected, each of which can also accommodate two test cables
- The compact design enables wiring in a confined space
- The Push-in connection terminal blocks are characterized by the system features of the CLIPLINE complete system and by easy and tool-free wiring of conductors with ferrules or solid conductors

## Commercial data

|                                      |                                |
|--------------------------------------|--------------------------------|
| Item number                          | 3260058                        |
| Packing unit                         | 3 pc                           |
| Minimum order quantity               | 3 pc                           |
| Note                                 | Made to order (non-returnable) |
| Sales key                            | *****                          |
| Product key                          | BE2211                         |
| Catalog page                         | Page 137 (C-1-2019)            |
| GTIN                                 | 4046356998727                  |
| Weight per piece (including packing) | 630 g                          |
| Weight per piece (excluding packing) | 620 g                          |
| Customs tariff number                | 85369010                       |
| Country of origin                    | PL                             |

# PTPOWER 50-3L/N-F - High-current terminal block



3260058

<https://www.phoenixcontact.com/sg/products/3260058>

## Technical data

### Product properties

|                       |                             |
|-----------------------|-----------------------------|
| Product type          | High current terminal block |
| Number of positions   | 4                           |
| Pitch                 | 20 mm                       |
| Number of connections | 8                           |
| Number of rows        | 1                           |
| Potentials            | 1                           |

### Insulation characteristics

|                      |     |
|----------------------|-----|
| Overvoltage category | III |
| Degree of pollution  | 3   |

### Electrical properties

|   |        |
|---|--------|
| Rated surge voltage                             | 8 kV   |
| Maximum power dissipation for nominal condition | 4.73 W |

### Connection data

|                                 |                    |
|---------------------------------|--------------------|
| Number of connections per level | 8                  |
| Nominal cross section           | 50 mm <sup>2</sup> |
| Rated cross section AWG         | 2/0                |

#### 1 level

|  |   |
|--|---|
| Stripping length   | 30 mm ... 32 mm   |
| Internal cylindrical gage  | A10   |
| Connection in acc. with standard   | IEC 60947-7-1   |
| Conductor cross section rigid  | 10 mm <sup>2</sup> ... 70 mm <sup>2</sup>               |
| Cross section AWG  | 8 ... 2/0 (converted acc. to IEC)                       |
| Conductor cross section flexible   | 10 mm <sup>2</sup> ... 70 mm <sup>2</sup>               |
| Conductor cross section, flexible [AWG]  | 8 ... 2/0 (converted acc. to IEC)                       |
| Conductor cross-section flexible (ferrule without plastic sleeve)                  | 10 mm <sup>2</sup> ... 50 mm <sup>2</sup>               |
| Flexible conductor cross section (ferrule with plastic sleeve)                     | 10 mm <sup>2</sup> ... 50 mm <sup>2</sup>               |
| Cross-section with insertion bridge, rigid   | 10 mm <sup>2</sup> ... 50 mm <sup>2</sup>               |
| Cross-section with insertion bridge, flexible                                      | 10 mm <sup>2</sup> ... 50 mm <sup>2</sup>               |
| Cross-section with insertion bridge, flexible, with ferrule without plastic sleeve | 10 mm <sup>2</sup> ... 50 mm <sup>2</sup>               |
| Cross-section with insertion bridge, flexible, with ferrule with plastic sleeve    | 10 mm <sup>2</sup> ... 50 mm <sup>2</sup>               |
| Nominal current  | 150 A   |
| Maximum load current   | 150 A (with 50 mm <sup>2</sup> conductor cross section) |
| Nominal voltage  | 1000 V  |

#### 1 level Connection cross sections directly pluggable

|                               |   |
|-------------------------------|---|
| Conductor cross section rigid | 10 mm <sup>2</sup> ... 70 mm <sup>2</sup> |
|-------------------------------|---|

# PTPOWER 50-3L/N-F - High-current terminal block



3260058

<https://www.phoenixcontact.com/sg/products/3260058>

|   |   |
|---|---|
| Conductor cross section, rigid [AWG]                              | 8 ... 2/0 (converted acc. to IEC)         |
| Conductor cross-section flexible (ferrule without plastic sleeve) | 10 mm <sup>2</sup> ... 50 mm <sup>2</sup> |
| Flexible conductor cross section (ferrule with plastic sleeve)    | 10 mm <sup>2</sup> ... 50 mm <sup>2</sup> |

## Ex data

### Rated data (ATEX/IECEx)

|                                   |  |
|-----------------------------------|--|
| Identification                    | ⊕ II 2 GD Ex eb IIC Gb                           |
| Operating temperature range       | -60 °C ... 110 °C                                |
| Ex-certified accessories          | 1206612 SZF 3-1,0X5,5<br>1201662 E/AL-NS 35      |
| List of bridges                   | / EB 2-20/PT / 3260067<br>/ EB 3-20/PT / 3260068 |
| Bridge data                       | 131 A (50 mm <sup>2</sup> )                      |
| Ex temperature increase           | 40 K (147 A / 50 mm <sup>2</sup> )               |
| Rated voltage                     | 1100 V   |
| at bridging with insertion bridge | 1100 V   |
| Rated insulation voltage          | 1000 V   |
| output                            | (Permanent)                                      |

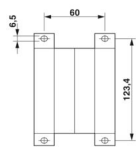
### Ex level General

|                      |         |
|----------------------|---------|
| Rated current        | 134 A   |
| Maximum load current | 134 A   |
| Contact resistance   | 0.16 mΩ |

### Ex connection data General

|  |   |
|--|---|
| Ferrule length   | 30 mm ... 32 mm                           |
| Stripping length   | 30 mm                                     |
| Nominal cross section  | 50 mm <sup>2</sup>                        |
| Rated cross section AWG  | 1/0                                       |
| Connection capacity rigid  | 10 mm <sup>2</sup> ... 70 mm <sup>2</sup> |
| Connection capacity AWG  | 8 ... 2/0                                 |
| Conductor cross section flexible, with ferrule without plastic sleeve min. | 16 mm <sup>2</sup>                        |
| Conductor cross section flexible, with ferrule without plastic sleeve max. | 50 mm <sup>2</sup>                        |

## Dimensions

|                     |  |
|---------------------|--|
| Dimensional drawing |  |
| Width               | 80 mm  |
| Height              | 96 mm  |
| Drill hole spacing  | 123.4 mm   |

# PTPOWER 50-3L/N-F - High-current terminal block



3260058

<https://www.phoenixcontact.com/sg/products/3260058>

|               |        |
|---------------|--------|
| Hole diameter | 6.5 mm |
| Pitch         | 20 mm  |

## Material specifications

|   |  |
|---|--|
| Color   | multicolored<br>gray (RAL 7042)<br>blue (RAL 5015) |
| Flammability rating according to UL 94                                  | V0   |
| Insulating material group   | I  |
| Insulating material   | PA   |
| Static insulating material application in cold                          | -60 °C   |
| Temperature index of insulation material (DIN EN 60216-1 (VDE 0304-21)) | 125 °C   |
| Relative insulation material temperature index (Elec., UL 746 B)        | 130 °C   |
| Fire protection for rail vehicles (DIN EN 45545-2) R22                  | HL 1 - HL 3  |
| Fire protection for rail vehicles (DIN EN 45545-2) R23                  | HL 1 - HL 3  |
| Fire protection for rail vehicles (DIN EN 45545-2) R24                  | HL 1 - HL 3  |
| Fire protection for rail vehicles (DIN EN 45545-2) R26                  | HL 1 - HL 3  |
| Calorimetric heat release NFPA 130 (ASTM E 1354)                        | 27,5 MJ/kg   |
| Surface flammability NFPA 130 (ASTM E 162)                              | passed   |
| Specific optical density of smoke NFPA 130 (ASTM E 662)                 | passed   |
| Smoke gas toxicity NFPA 130 (SMP 800C)                                  | passed   |

## Mechanical properties

### Mechanical data

|                 |    |
|-----------------|----|
| Open side panel | No |
|-----------------|----|

### Technical data

|                    |          |
|--------------------|----------|
| Drill hole spacing | 123.4 mm |
|--------------------|----------|

## Environmental and real-life conditions

### Ambient conditions

|  |   |
|--|---|
| Ambient temperature (storage/transport)  | -25 °C ... 60 °C (for a short time, not exceeding 24 h, -60 °C to +70 °C) |
| Ambient temperature (assembly)           | -5 °C ... 70 °C   |
| Ambient temperature (actuation)          | -5 °C ... 70 °C   |
| Permissible humidity (storage/transport) | 30 % ... 70 %   |

## Standards and regulations

|                                  |               |
|----------------------------------|---------------|
| Connection in acc. with standard | IEC 60947-7-1 |
|----------------------------------|---------------|

## Mounting

|               |                         |
|---------------|-------------------------|
| Mounting type | direct screw connection |
|---------------|-------------------------|

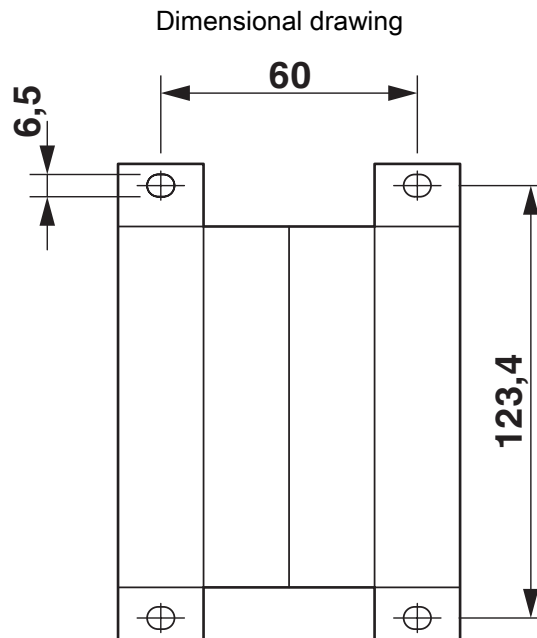
# PPOWER 50-3L/N-F - High-current terminal block

3260058

<https://www.phoenixcontact.com/sg/products/3260058>



## Drawings



# PTPOWER 50-3L/N-F - High-current terminal block

3260058

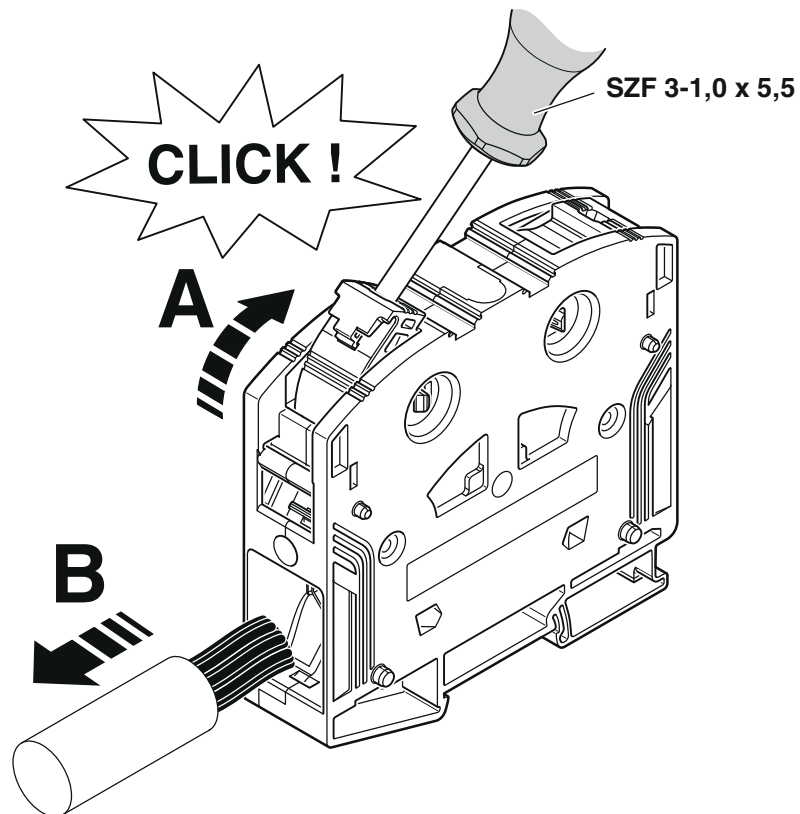
<https://www.phoenixcontact.com/sg/products/3260058>

Schematic diagram

## PTPOWER



|                |  |       |
|----------------|--|-------|
| AGK 10-PTPOWER | 0,5 mm <sup>2</sup> ... 16 mm <sup>2</sup> | 18 mm |
| PTPOWER 35     | 2,5 mm <sup>2</sup> ... 35 mm <sup>2</sup> | 25 mm |
| PTPOWER 50     | 10 mm <sup>2</sup> ... 50 mm <sup>2</sup>  | 32 mm |
| PTPOWER 95     | 25 mm <sup>2</sup> ... 95 mm <sup>2</sup>  | 40 mm |
| PTPOWER 185    | 95 mm <sup>2</sup> ... 185 mm <sup>2</sup> | 40 mm |



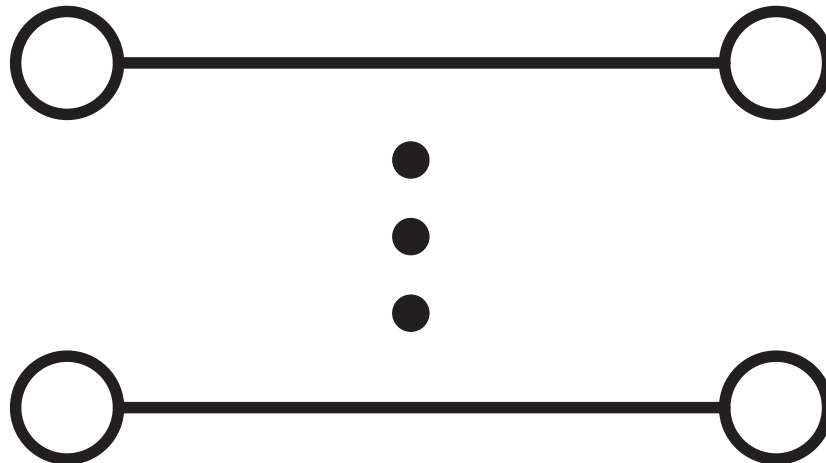
# PPOWER 50-3L/N-F - High-current terminal block



3260058

<https://www.phoenixcontact.com/sg/products/3260058>

Circuit diagram



# PTPOWER 50-3L/N-F - High-current terminal block



3260058

<https://www.phoenixcontact.com/sg/products/3260058>

## Classifications

### ECLASS

ECLASS-11.0

27141120

### ETIM

ETIM 8.0

EC000897

### UNSPSC

UNSPSC 21.0

39121400



# PTPOWER 50-3L/N-F - High-current terminal block



3260058

<https://www.phoenixcontact.com/sg/products/3260058>

## Environmental product compliance

### EU RoHS

|   |                    |
|---|--------------------|
| Fulfills EU RoHS substance requirements | Yes, No exemptions |
|---|--------------------|

### China RoHS

|  |  |
|--|--|
| Environment friendly use period (EFUP) | EFUP-E                                   |
|  | No hazardous substances above the limits |

### EU REACH SVHC

|                                     |                            |
|-------------------------------------|----------------------------|
| REACH candidate substance (CAS No.) | No substance above 0.1 wt% |
|-------------------------------------|----------------------------|

Phoenix Contact 2025 © - all rights reserved  
<https://www.phoenixcontact.com>

PHOENIX CONTACT SEA Pte. Ltd.  
105 Eunos Avenue 3, #04-00  
Singapore 409836  
+65 6228 4900  
[marketing@phoenixcontact.com.sg](mailto:marketing@phoenixcontact.com.sg)