

AKG 4 BK - Connection terminal block



0421032

<https://www.phoenixcontact.com/sg/products/0421032>

Please be informed that the data shown in this PDF document is generated from our online catalog. Please find the complete data in the user documentation. Our general terms of use for downloads are valid.



Connection terminal block, nom. voltage: 300 V, nominal current: 41 A, connection method: Screw connection, Rated cross section: 4 mm², cross section: 0.5 mm² - 6 mm², mounting: Neutral busbar, color: black

Commercial data

| | |
|--------------------------------------|---------------------|
| Item number | 0421032 |
| Packing unit | 50 pc |
| Minimum order quantity | 50 pc |
| Sales key | 0151* |
| Product key | BE7331 |
| Catalog page | Page 554 (C-3-2019) |
| GTIN | 4017918001933 |
| Weight per piece (including packing) | 5.5 g |
| Weight per piece (excluding packing) | 5.426 g |
| Customs tariff number | 85369010 |
| Country of origin | IN |

AKG 4 BK - Connection terminal block



0421032

<https://www.phoenixcontact.com/sg/products/0421032>

Technical data

Product properties

| | |
|-----------------------|-----------------------------|
| Product type | Installation terminal block |
| Number of connections | 1 |
| Number of rows | 1 |

Electrical properties

| | |
|-------------------------------------------------|--------|
| Maximum load current | 41 A |
| Maximum power dissipation for nominal condition | 1.02 W |
| Nominal current I_N | 32 A |
| Current carrying capacity of the neutral busbar | 140 A |

Connection data

| | |
|-----------------------|-------------------|
| Nominal cross section | 4 mm ² |
| Maximum load current | 41 A |

Level 1 above 1 below 1

| | |
|-------------------------------------------------------------------------------------------|-------------------------------------------------------|
| Screw thread | M4 |
| Tightening torque | 1.5 ... 1.8 Nm |
| Stripping length | 16 mm |
| Conductor cross section rigid | 0.5 mm ² ... 6 mm ² |
| Cross section AWG | 20 ... 10 (converted acc. to IEC) |
| Conductor cross section flexible | 0.5 mm ² ... 4 mm ² |
| Conductor cross section, flexible [AWG] | 20 ... 12 (converted acc. to IEC) |
| Conductor cross-section flexible (ferrule without plastic sleeve) | 0.5 mm ² ... 6 mm ² |
| Flexible conductor cross section (ferrule with plastic sleeve) | 0.5 mm ² ... 6 mm ² |
| 2 conductors with same cross section, solid | 0.5 mm ² ... 2.5 mm ² |
| 2 conductors with same cross section, flexible | 0.5 mm ² ... 2.5 mm ² |
| 2 conductors with same cross section, flexible, with ferrule without plastic sleeve | 0.5 mm ² ... 2.5 mm ² |
| 2 conductors with the same cross section, flexible, with TWIN ferrule with plastic sleeve | 0.5 mm ² ... 2.5 mm ² |
| Nominal current | 41 A |
| Maximum load current | 41 A (with 6 mm ² conductor cross section) |
| Nominal voltage | 300 V |
| Nominal cross section | 4 mm ² |

Dimensions

AKG 4 BK - Connection terminal block



0421032

<https://www.phoenixcontact.com/sg/products/0421032>

| | |
|---------------------|---------|
| Dimensional drawing | |
| Width | 7 mm |
| Height | 23.4 mm |
| Depth | 24 mm |
| Length | 23.4 mm |

Material specifications

| | |
|-------------------------------------------------------------------------|------------------|
| Color | black (RAL 9005) |
| Flammability rating according to UL 94 | V2 |
| Insulating material | PA |
| Static insulating material application in cold | -60 °C |
| Temperature index of insulation material (DIN EN 60216-1 (VDE 0304-21)) | 130 °C |
| Relative insulation material temperature index (Elec., UL 746 B) | 130 °C |
| Fire protection for rail vehicles (DIN EN 45545-2) R22 | HL 1 - HL 3 |
| Fire protection for rail vehicles (DIN EN 45545-2) R23 | HL 1 - HL 3 |
| Fire protection for rail vehicles (DIN EN 45545-2) R24 | HL 1 - HL 3 |
| Fire protection for rail vehicles (DIN EN 45545-2) R26 | HL 1 - HL 3 |
| Calorimetric heat release NFPA 130 (ASTM E 1354) | 28 MJ/kg |
| Surface flammability NFPA 130 (ASTM E 162) | passed |
| Specific optical density of smoke NFPA 130 (ASTM E 662) | passed |
| Smoke gas toxicity NFPA 130 (SMP 800C) | passed |

Electrical tests

Temperature-rise test

| | |
|-----------------------------------|-------------------------------------|
| Requirement temperature-rise test | Increase in temperature ≤ 45 K |
| Result | Test passed |
| Result | Test passed |

Environmental and real-life conditions

Ambient conditions

| | |
|-----------------------------------------|------------------------------------------------------------------------------------------------------------------------------|
| Ambient temperature (operation) | -60 °C ... 110 °C (Operating temperature range incl. self-heating; for max. short-term operating temperature, see RTI Elec.) |
| Ambient temperature (storage/transport) | -25 °C ... 60 °C (for a short time, not exceeding 24 h, -60 °C to +70 °C) |
| Ambient temperature (assembly) | -5 °C ... 70 °C |
| Ambient temperature (actuation) | -5 °C ... 70 °C |

AKG 4 BK - Connection terminal block



0421032

<https://www.phoenixcontact.com/sg/products/0421032>

| | |
|------------------------------------------|---------------|
| Permissible humidity (operation) | 20 % ... 90 % |
| Permissible humidity (storage/transport) | 30 % ... 70 % |

Mounting

| | |
|---------------|----------------|
| Mounting type | Neutral busbar |
|---------------|----------------|

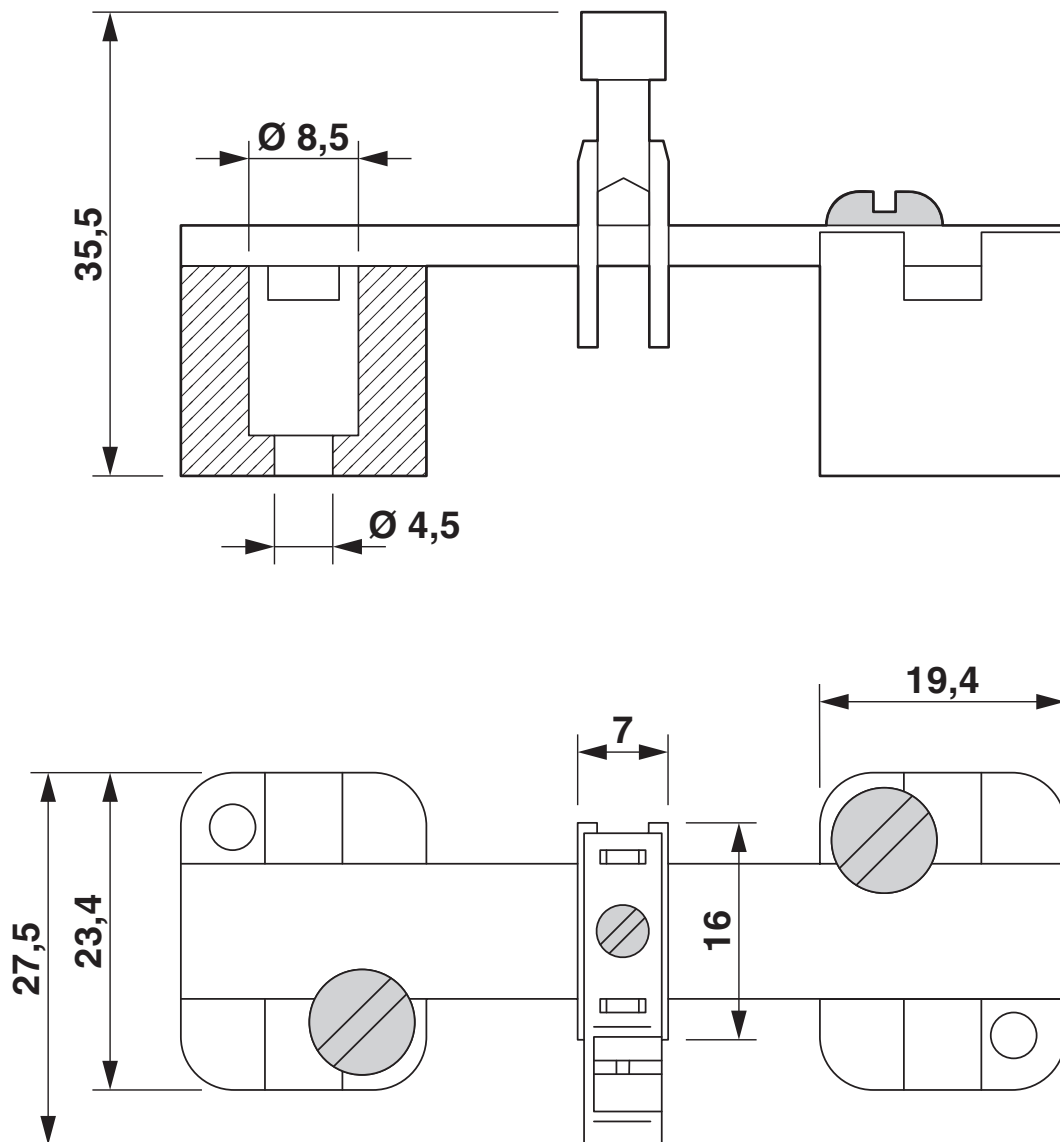
AKG 4 BK - Connection terminal block

0421032

<https://www.phoenixcontact.com/sg/products/0421032>

Drawings

Dimensional drawing



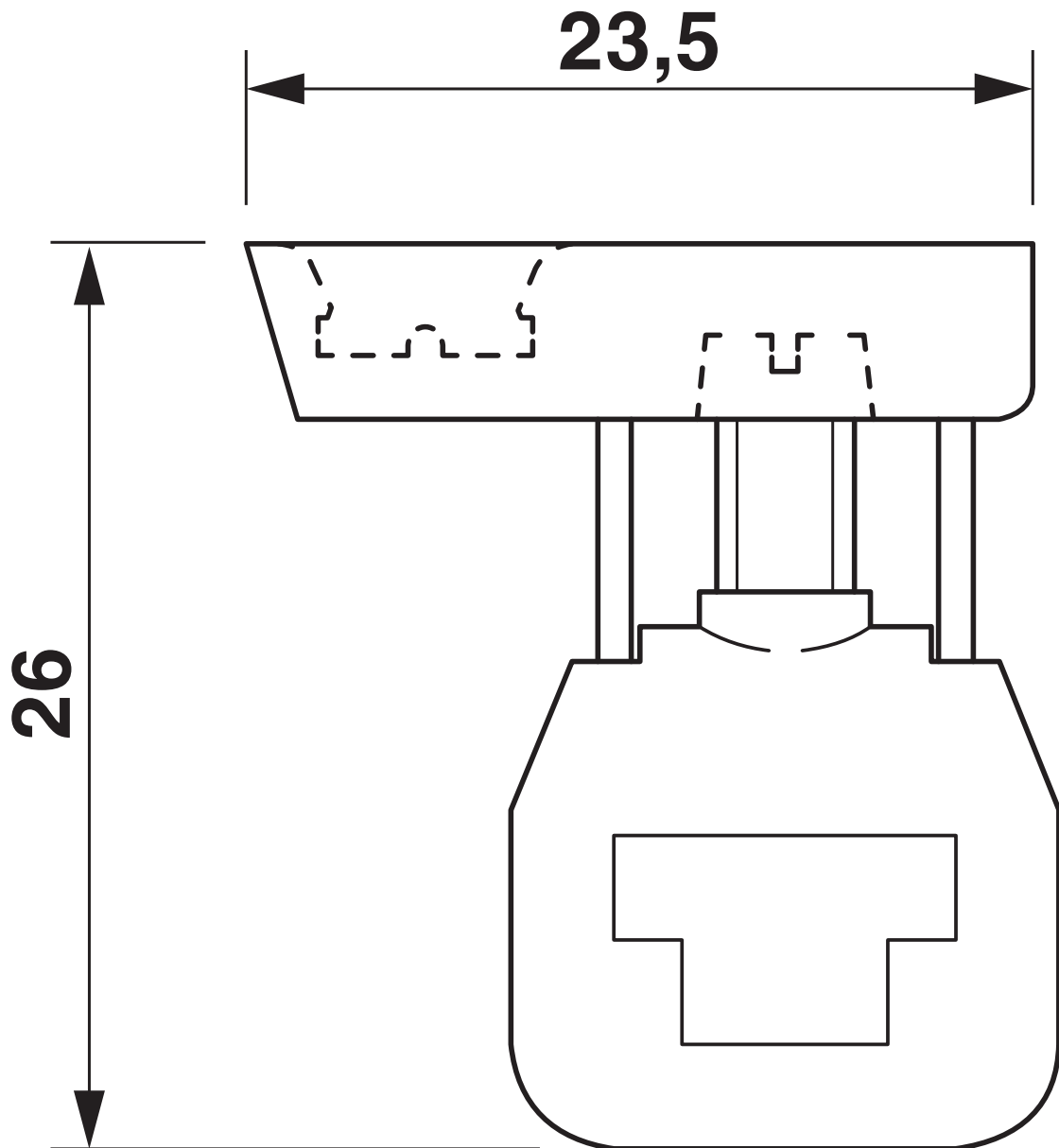
AKG 4 BK - Connection terminal block



0421032

<https://www.phoenixcontact.com/sg/products/0421032>

Dimensional drawing



AKG 4 BK - Connection terminal block





0421032


<https://www.phoenixcontact.com/sg/products/0421032>

Approvals

To download certificates, visit the product detail page: <https://www.phoenixcontact.com/sg/products/0421032>

|  CSA Approval ID: 13631 | | | | |
|--------------------------------------------------------------------------------------------------------------------|-----------------------|-----------------------|-------------------|----------------------|
| | Nominal voltage U_N | Nominal current I_N | Cross section AWG | Cross section mm^2 |
| | - | 20 A | 22 - 12 | - |

|  EAC Approval ID: EACKZ 08593 | | | | |
|--------------------------------------------------------------------------------------------------------------------------|--|--|--|--|
|--------------------------------------------------------------------------------------------------------------------------|--|--|--|--|

|  cULus Recognized Approval ID: E60425 | | | | |
|----------------------------------------------------------------------------------------------------------------------------------|-----------------------|-----------------------|-------------------|----------------------|
| | Nominal voltage U_N | Nominal current I_N | Cross section AWG | Cross section mm^2 |
| Use group B | | | | |
| Field wiring | - | 20 A | 22 - 12 | - |
| Factory wiring | - | 30 A | - 10 | - |
| Use group C | | | | |
| Field wiring | - | 20 A | 22 - 12 | - |
| Factory wiring | - | 30 A | - 10 | - |
| Use group F | | | | |
| Field wiring | - | 20 A | 22 - 12 | - |
| Factory wiring | - | 30 A | - 10 | - |

AKG 4 BK - Connection terminal block



0421032

<https://www.phoenixcontact.com/sg/products/0421032>

Classifications

ECLASS

| | |
|-------------|----------|
| ECLASS-11.0 | 27141146 |
| ECLASS-12.0 | 27141146 |
| ECLASS-13.0 | 27250116 |

ETIM

| | |
|----------|----------|
| ETIM 9.0 | EC000001 |
|----------|----------|

UNSPSC

| | |
|-------------|----------|
| UNSPSC 21.0 | 31162900 |
|-------------|----------|

AKG 4 BK - Connection terminal block



0421032

<https://www.phoenixcontact.com/sg/products/0421032>

Environmental product compliance

EU RoHS

| | |
|-----------------------------------------|--------------------|
| Fulfills EU RoHS substance requirements | Yes, No exemptions |
|-----------------------------------------|--------------------|

China RoHS

| | |
|----------------------------------------|------------------------------------------|
| Environment friendly use period (EFUP) | EFUP-E |
| | No hazardous substances above the limits |

EU REACH SVHC

| | |
|-------------------------------------|----------------------------|
| REACH candidate substance (CAS No.) | No substance above 0.1 wt% |
|-------------------------------------|----------------------------|

Phoenix Contact 2025 © - all rights reserved
<https://www.phoenixcontact.com>

PHOENIX CONTACT SEA Pte. Ltd.
105 Eunos Avenue 3, #04-00
Singapore 409836
+65 6228 4900
marketing@phoenixcontact.com.sg