

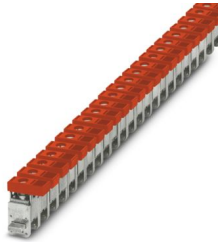
AKG 35 RD - Connection terminal block



3062980

<https://www.phoenixcontact.com/sg/products/3062980>

Please be informed that the data shown in this PDF document is generated from our online catalog. Please find the complete data in the user documentation. Our general terms of use for downloads are valid.



Connection terminal block, nom. voltage: 300 V, nominal current: 125 A, connection method: Screw connection, Rated cross section: 35 mm², cross section: 2.5 mm² - 35 mm², mounting: Neutral busbar, color: red

Commercial data

Item number	3062980
Packing unit	50 pc
Minimum order quantity	50 pc
Sales key	*****
Product key	BE7331
Catalog page	Page 555 (C-3-2019)
GTIN	4046356558396
Weight per piece (including packing)	20.18 g
Weight per piece (excluding packing)	20.18 g
Customs tariff number	85369010
Country of origin	PL

AKG 35 RD - Connection terminal block



3062980

<https://www.phoenixcontact.com/sg/products/3062980>

Technical data

Product properties

Product type	Installation terminal block
Number of connections	1
Number of rows	1

Electrical properties

Maximum load current	125 A (with 35 mm ² conductor cross section)
Maximum power dissipation for nominal condition	4.06 W
Nominal current I _N	125 A
Current carrying capacity of the neutral busbar	140 A

Connection data

Nominal cross section	35 mm ²
Maximum load current	125 A (with 35 mm ² conductor cross section)

Level 1 above 1 below 1

Screw thread	M6
Tightening torque	3.2 ... 3.7 Nm
Stripping length	16 mm
Connection in acc. with standard	IEC / EN
Conductor cross section rigid	2.5 mm ² ... 35 mm ²
Cross section AWG	12 ... 2 (converted acc. to IEC)
Conductor cross section flexible	2.5 mm ² ... 35 mm ²
Conductor cross section, flexible [AWG]	12 ... 2 (converted acc. to IEC)
Conductor cross-section flexible (ferrule without plastic sleeve)	2.5 mm ² ... 35 mm ²
Flexible conductor cross section (ferrule with plastic sleeve)	2.5 mm ² ... 35 mm ²
2 conductors with same cross section, solid	1.5 mm ² ... 16 mm ²
2 conductors with same cross section, flexible	1.5 mm ² ... 16 mm ²
2 conductors with same cross section, flexible, with ferrule without plastic sleeve	1.5 mm ² ... 16 mm ²
2 conductors with the same cross section, flexible, with TWIN ferrule with plastic sleeve	1.5 mm ² ... 10 mm ²
Nominal current	125 A
Maximum load current	125 A (with 35 mm ² conductor cross section)
Nominal voltage	300 V
Nominal cross section	35 mm ²

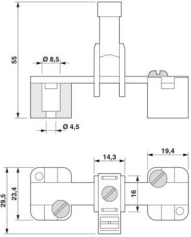
Dimensions

AKG 35 RD - Connection terminal block



3062980

<https://www.phoenixcontact.com/sg/products/3062980>

Dimensional drawing	
Width	14.3 mm
Height	27 mm
Depth	39 mm
Length	27 mm

Material specifications

Color	red (RAL 3001)
Flammability rating according to UL 94	V2
Insulating material	PA

Standards and regulations

Connection in acc. with standard	IEC / EN
----------------------------------	----------

Mounting

Mounting type	Neutral busbar
---------------	----------------

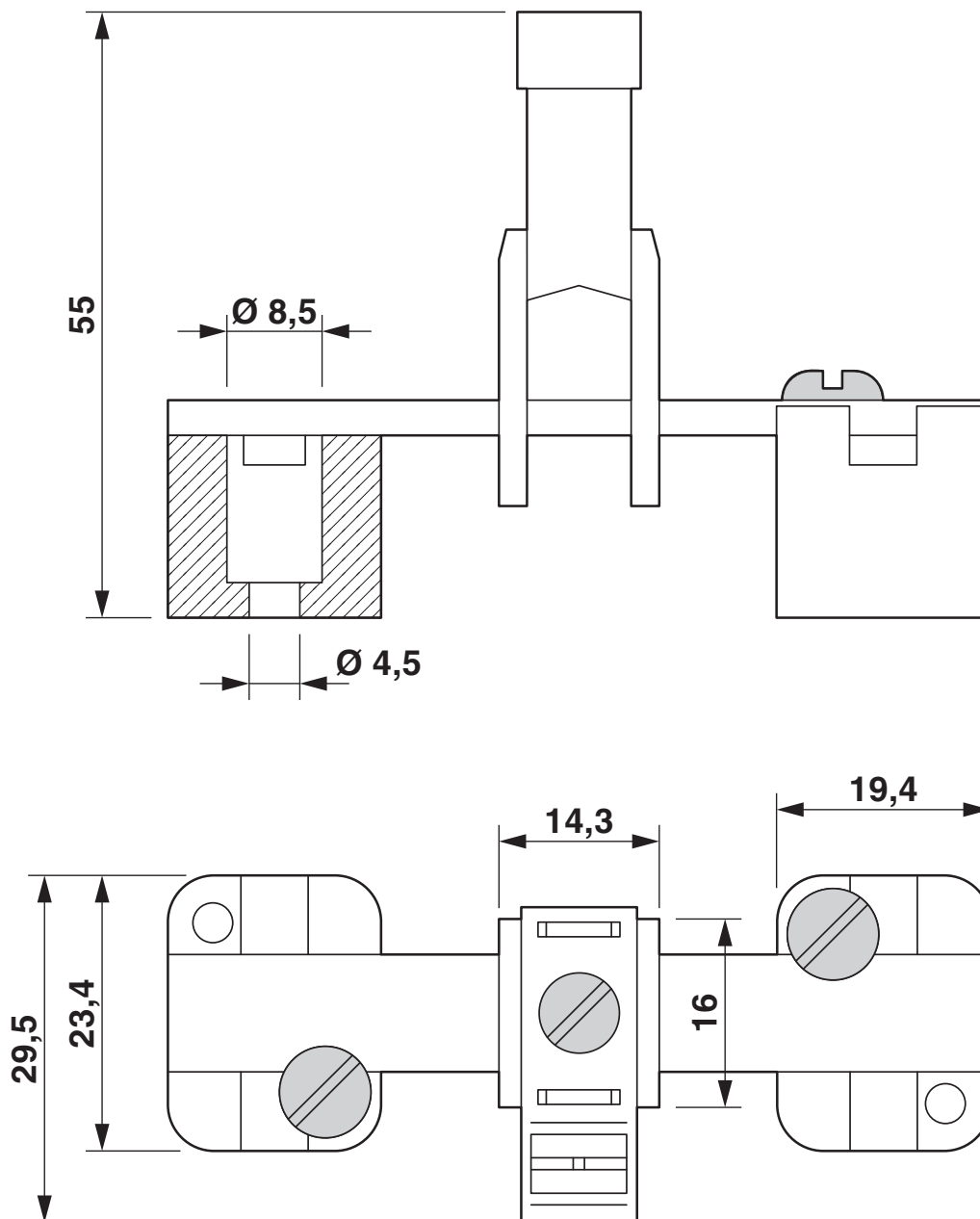
AKG 35 RD - Connection terminal block

3062980

<https://www.phoenixcontact.com/sg/products/3062980>

Drawings

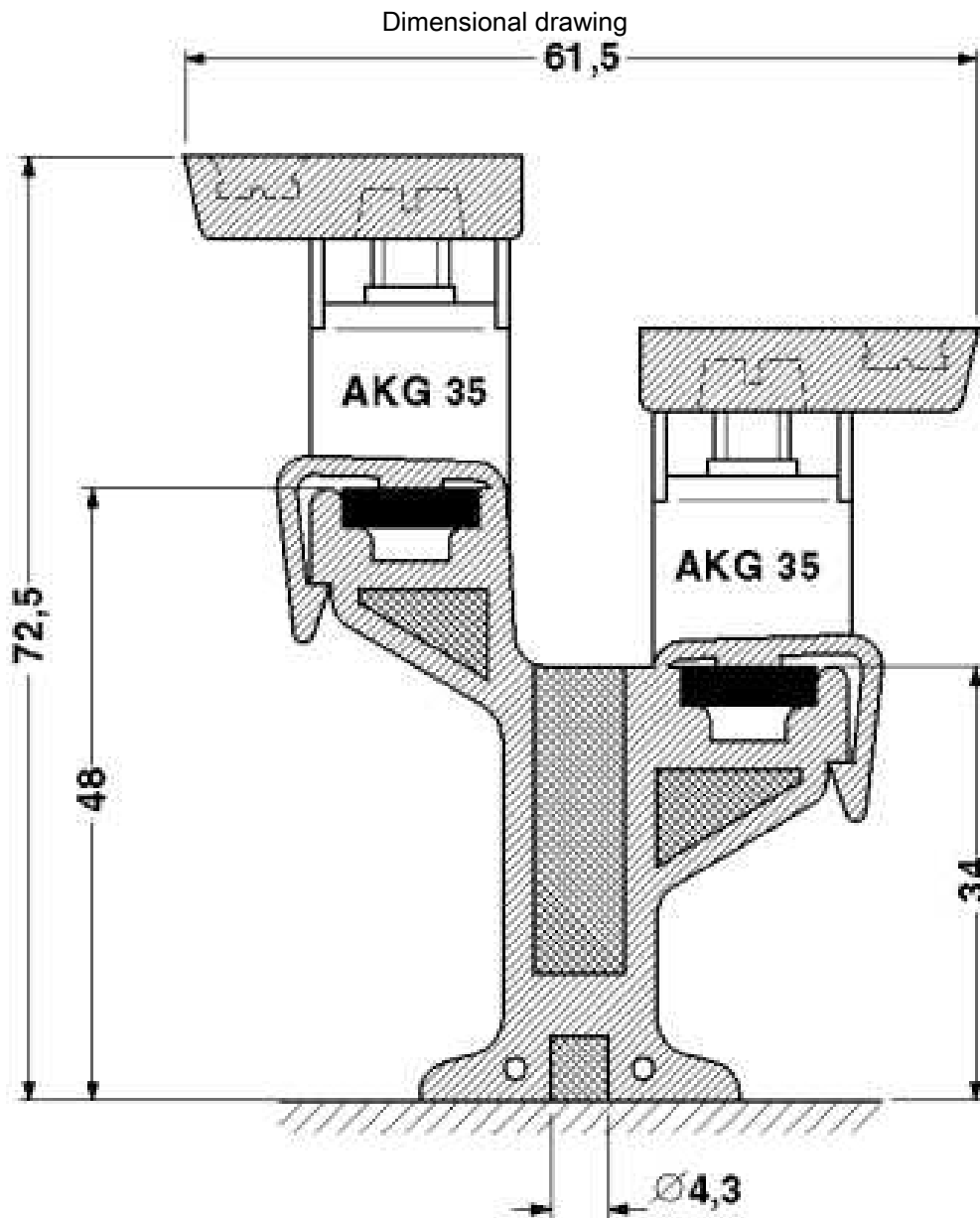
Dimensional drawing



AKG 35 RD - Connection terminal block

3062980

<https://www.phoenixcontact.com/sg/products/3062980>



AKG 35 RD - Connection terminal block





3062980


<https://www.phoenixcontact.com/sg/products/3062980>

Approvals

To download certificates, visit the product detail page: <https://www.phoenixcontact.com/sg/products/3062980>

 CSA Approval ID: 13631				
	Nominal voltage U_N	Nominal current I_N	Cross section AWG	Cross section mm^2
	-	135 A	18 - 2	-

 UL Recognized Approval ID: E60425				
	Nominal voltage U_N	Nominal current I_N	Cross section AWG	Cross section mm^2
Use group B	-	115 A	18 - 2	-
Use group C	-	115 A	18 - 2	-
Use group F	-	115 A	18 - 2	-

 EAC Approval ID: EACKZ 08593				
--	--	--	--	--

AKG 35 RD - Connection terminal block



3062980

<https://www.phoenixcontact.com/sg/products/3062980>

Classifications

ECLASS

ECLASS-11.0	27141146
ECLASS-12.0	27141146
ECLASS-13.0	27250116

ETIM

ETIM 9.0	EC000001
----------	----------

UNSPSC

UNSPSC 21.0	31162900
-------------	----------

AKG 35 RD - Connection terminal block



3062980

<https://www.phoenixcontact.com/sg/products/3062980>

Environmental product compliance

EU RoHS

Fulfills EU RoHS substance requirements	Yes, No exemptions
---	--------------------

China RoHS

Environment friendly use period (EFUP)	EFUP-E
	No hazardous substances above the limits

EU REACH SVHC

REACH candidate substance (CAS No.)	No substance above 0.1 wt%
-------------------------------------	----------------------------

Phoenix Contact 2025 © - all rights reserved
<https://www.phoenixcontact.com>

PHOENIX CONTACT SEA Pte. Ltd.
105 Eunos Avenue 3, #04-00
Singapore 409836
+65 6228 4900
marketing@phoenixcontact.com.sg