

**Article No. :** 1FL2104-2AG11-1HC0

Client order no. :  
Order no. :  
Offer no. :  
Remarks :

Item no. :  
Consignment no. :  
Project :

### Basic motor data

Motor type	Permanent-magnet synchronous motor
Motor type	Low Inertia
Static torque	2.40 Nm
Static current	4.40 A
Maximum torque	8.00 Nm
Maximum current	16.0 A
Maximum speed	6,500 rpm
Rotor moment of inertia	0.5000 kgcm <sup>2</sup>
Weight	3.5 kg

### Rated data

SINAMICS S200, 1/3 AC 200 ... 240 V

Rated speed	3,000 rpm
Rated torque	2.40 Nm
Rated current	4.4 A
Rated power	0.75 kW

### Encoder system

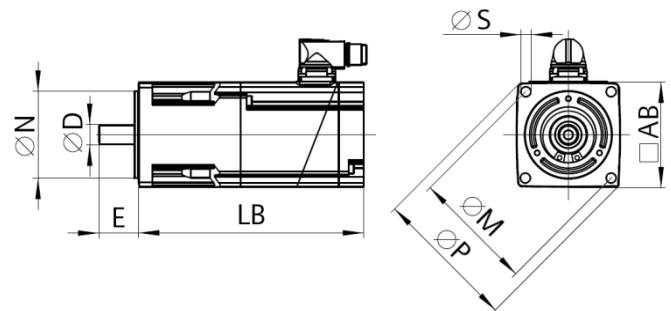
Encoder system	Absolute encoder singleturn 17 bit
----------------	------------------------------------

### Motor connection

Connection type	Metal hybrid connector
-----------------	------------------------

### Mechanical data

Design acc. to Code I	IM B5 (IM V1, IM V3)
Vibration severity grade	Grade A
Shaft height	40
Flange size (AB)	81 mm
Centering ring (N)	70 mm
Hole circle (M)	90 mm
Screw-on hole (S)	6.6 mm
Overall length (LB)	168.6 mm
Diameter of shaft (D)	19 mm
Length of shaft (E)	40 mm
Length of flange diagonal (P)	104.9 mm
Shaft end	Shaft with parallel key (half-key balancing)
Color of the housing	Anthracite RAL 7016



### Holding brake

Rated voltage	24 V DC 10 %
Rated current	0.35 A
Holding torque $M_{4Br}$	3.30 Nm
Opening time	100 ms
Closing time	15 ms