

Article No. : 1FL2310-2AC11-0SB0

Client order no. :
Order no. :
Offer no. :
Remarks :

Item no. :
Consignment no. :
Project :

Basic motor data

Motor type	Permanent-magnet synchronous motor
Motor type	High Inertia
Static torque	18.10 Nm
Static current	11.00 A
Maximum torque	55.00 Nm
Maximum current	36.2 A
Maximum speed	3,000 rpm
Rotor moment of inertia	69.0950 kgcm ²
Weight	25.4 kg

Rated data

SINAMICS S200, 3 AC 380 ... 480 V

Rated speed	2,000 rpm
Rated torque	16.70 Nm
Rated current	11.0 A
Rated power	3.50 kW

Encoder system

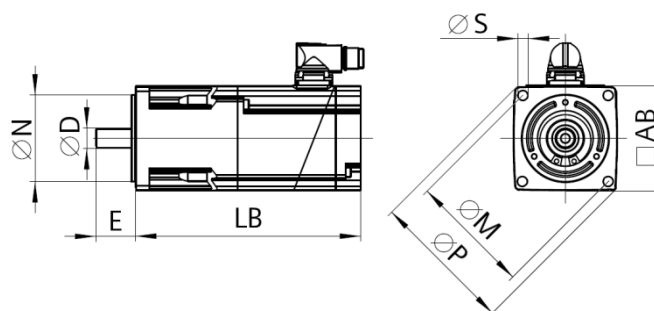
Encoder system Absolute encoder singleturn 21 bit

Motor connection

Connection type Metal angular connector

Mechanical data

Design acc. to Code I	IM B5 (IM V1, IM V3)
Vibration severity grade	Grade A
Shaft height	90
Flange size (AB)	180 mm
Centering ring (N)	114.3 mm
Hole circle (M)	200 mm
Screw-on hole (S)	13.5 mm
Overall length (LB)	281 mm
Diameter of shaft (D)	35 mm
Length of shaft (E)	80 mm
Length of flange diagonal (P)	228 mm
Shaft end	Plain shaft
Color of the housing	Anthracite RAL 7016



Holding brake

Rated voltage	24 V DC 10 %
Rated current	1.90 A
Holding torque M_{4Br}	30.00 Nm
Opening time	220 ms
Closing time	115 ms